

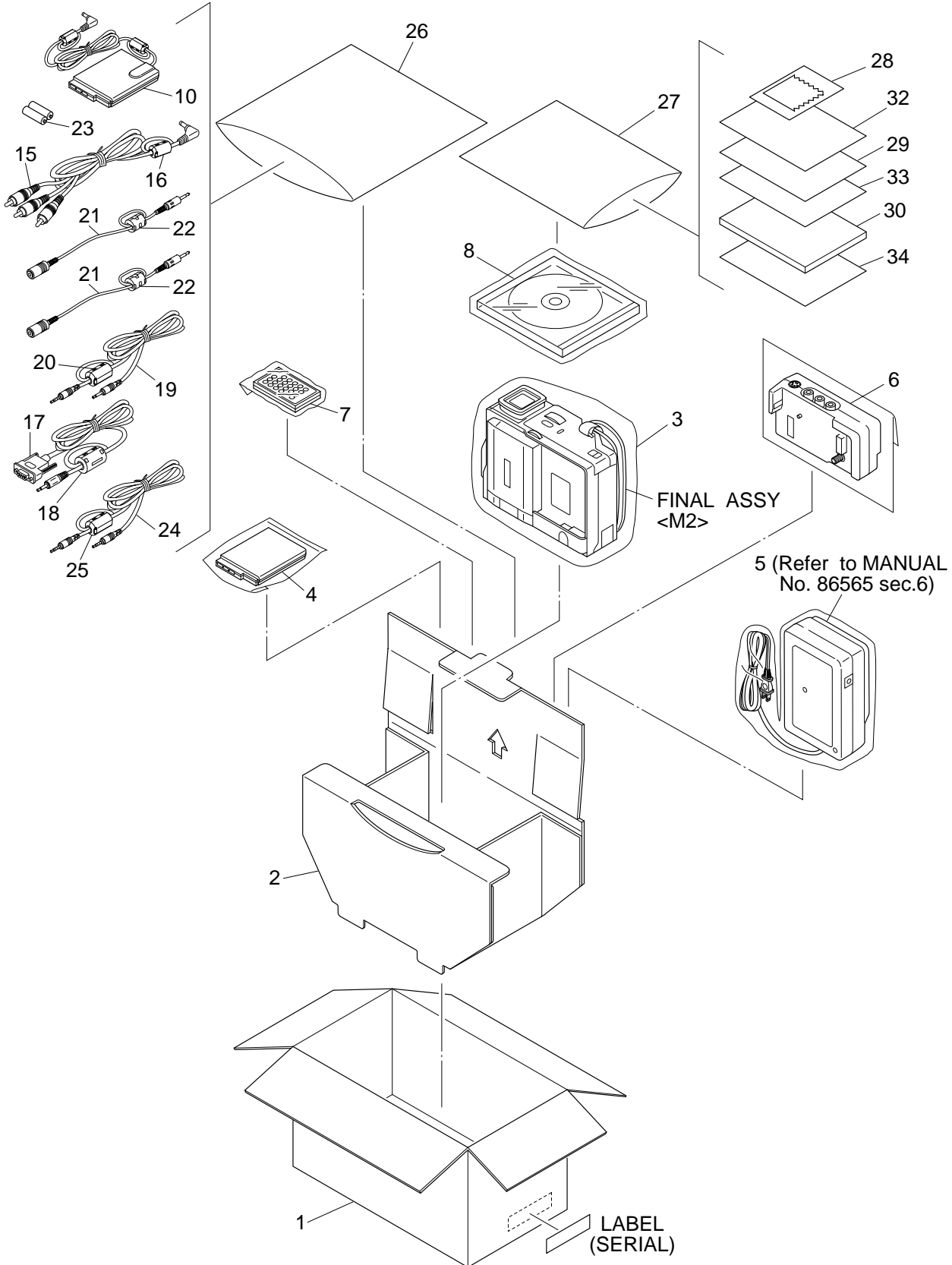
SECTION 5 PARTS LIST

SAFETY PRECAUTION

Parts identified by the  symbol are critical for safety. Replace only with specified part numbers.

5.1 PACKING AND ACCESSORY ASSEMBLY <M1>

The instruction manual to be provided with this product will differ according to the destination.



△ REF No. PART No. PART NAME, DESCRIPTION

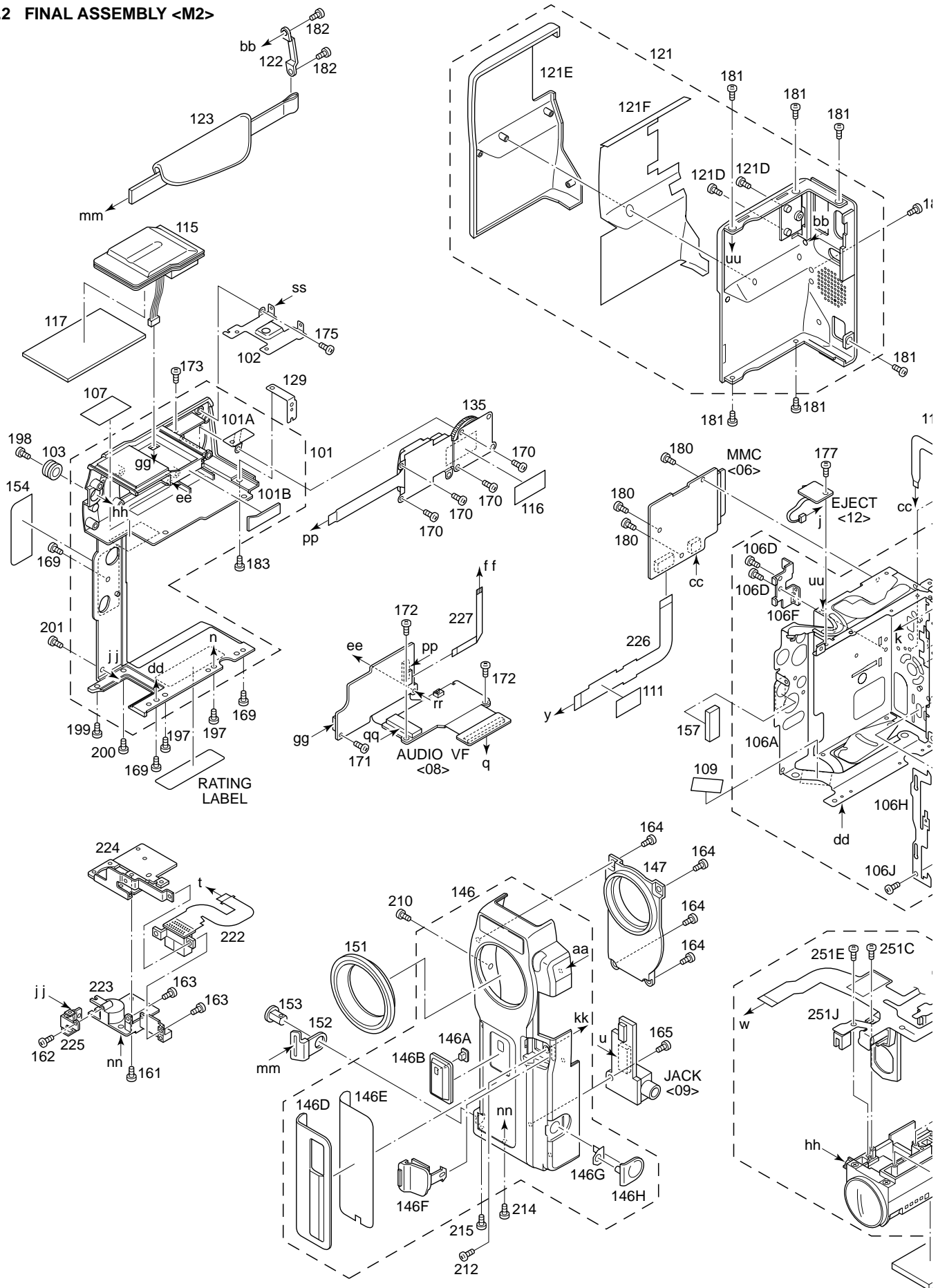
PACKING AND ACCESSORY ASSEMBLY <M1>

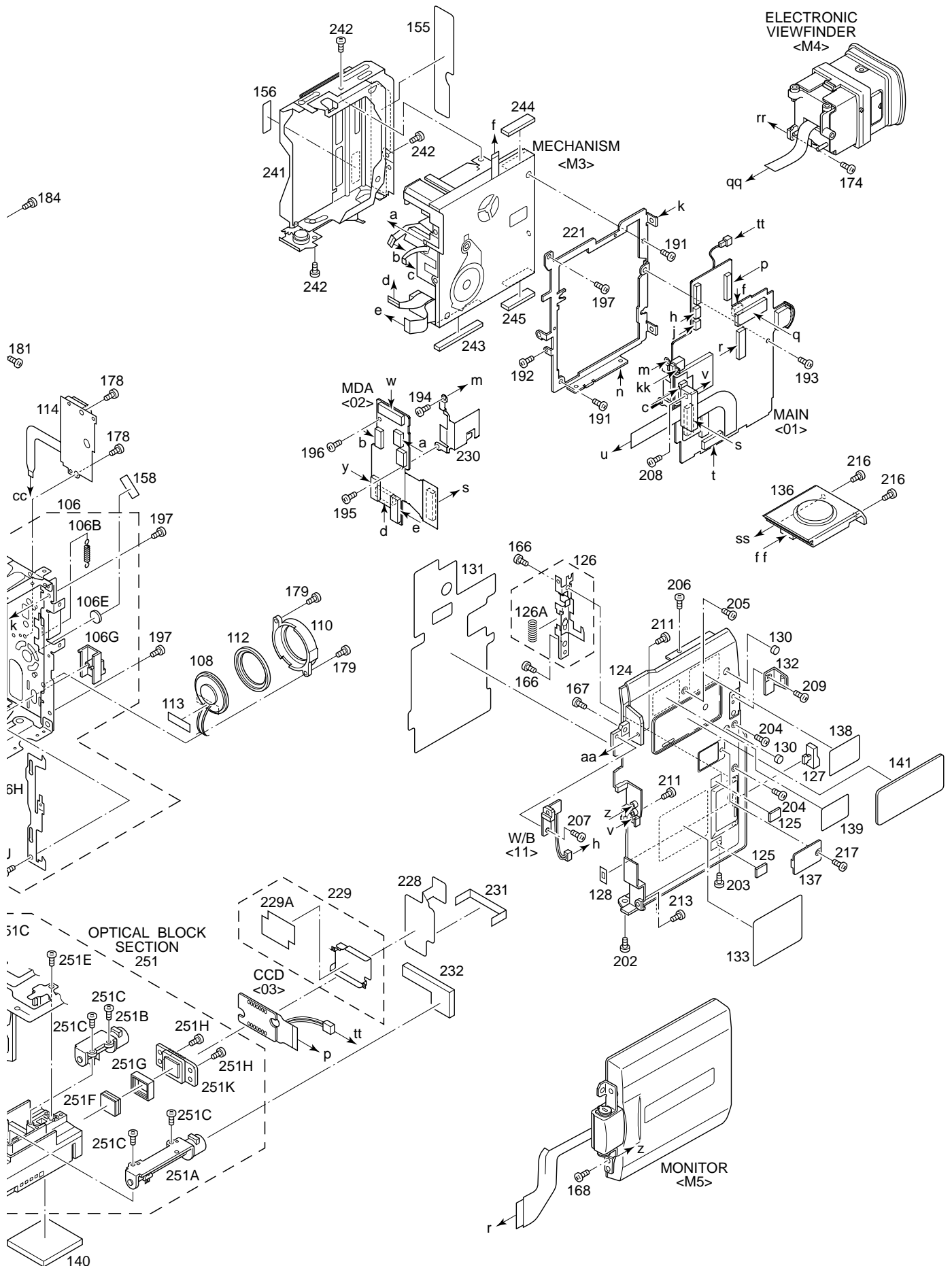
1	LY31717-002A	PACKING CASE
2	LY20588-001A	CUSHION
3	LY30023-003A	POLY BAG
△ 4	LY31174-002B	BATTERY PACK,BN-V507U
△ 5	LY20603-001B	AC ADAPTER CHARGER,AA-V51U
△ 6	LY20590-003A	DOCKING STATION,CU-V503U
7	LY20543-002A	REMOTE CONTROL UNIT,RM-V716U
8	LY31133-015A	CD ROM
10	LY31176-004A	DC CORD
15	QAM0124-001	CABLE ASSY,AUDIO/VIDEO CABLE
16	QQR0918-002	CORE FILTER
17	QAM0084-001	PC CONNECTION CABLE
18	QQR0918-002	CORE FILTER
19	QAM0214-001	RM (EDITING) CABLE
20	QQR0491-002	CORE FILTER
21	QAM0213-001	AUDIO CABLE,X2
22	QQR1081-002	CORE FILTER,X2
23	-	BATTERY,AAA(R03),X2
24	QAM0129-001	JLIP CABLE
25	QQR0491-002	CORE FILTER
26	QPGA017-03005	POLY BAG
27	QPA02003006	POLY BAG
28	YQ43558	CLEANING CLOTH
29	BT-51005-4	WARRANTY INF.
△ 30	LYT0590-001A	IB(EN)
△	LYT0590-002A	IB(FR)
△	LYT0590-003A	IB(SP)
△ 32	LYT0588-001A	IB(SOFT.SETUP)
33	LYT0378-003A	SHEET(AGREMENT)
34	BT-51020-2	REGIST.CARD

• INSTRUCTIONS

- EN ENGLISH
- FR FRENCH
- SP SPANISH

5.2 FINAL ASSEMBLY <M2>





#	△ REF No.	PART No.	PART NAME, DESCRIPTION

FINAL ASSEMBLY <M2>			
△	101	LY20576-003B	LOWER CASE ASSY
	101A	LY42536-001A	SHEET(LOWER)
	101B	LY42259-001A	SHEET(MIC C)
	102	LY31764-001A	BKT(TOP)
	103	LY41675-001B	RUBBER
	106	LY20601-001B	ARM ASSY
	106A	LY20594-001A	BRACKET(ARM)
	106B	LY30001-023A	TENSION SPRING
	106D	LY30018-056A	SPECIAL SCREW,X2
	106E	LY42268-001A	SPACER(SPK)
	106F	LY31678-001A	BRACKET(HOOK)
	106G	LY31676-001A	KNOB(EJECT)
	106H	LY31665-001A	PLATE(LOCK)
	106J	LY30018-015A	SPECIAL SCREW
	107	LY30029-083A	SPACER(A)
	108	QAS0053-001	SPEAKER
	109	LY30029-084A	SPACER(A)
	110	LY31762-001A	HOLDER(SPK)
	111	LY30029-085A	SPACER(A)
	112	LY40301-001A	SPACER(SPK)
	113	LY30029-086A	SPACER(A)
	114	LY31680-002B	ZOOM UNIT
	115	LY31671-001B	MICROPHONE
	116	LY30029-083A	SPACER(A)
	117	LY30029-094A	SPACER-A
	121	LY20602-003A	CASS.COVER ASSY
	121D	LY30018-026A	SPECIAL SCREW,X2
	121E	LY20599-002A	COVER(C.C)
	121F	LY42434-001A	SHEET(COVER)
	122	LY41588-001A	HOOK(OPE)
	123	LY31745-001B	GRIP BELT
	124	LY10236-001A	UPPER CASE
	125	LY30029-091A	SPACER(A),X2
	126	LY42270-001A	BATT.LOCK ASSY
	126A	LY30002-015A	COMPRES. SPRING
	127	LY31102-001A	KNOB(LOCK)
	128	LY41397-001A	PLATE(KNOB)
	129	LY42326-001A	BRACKET(L/U)
	130	LY42350-001A	FOOT,X2
	131	LY42272-001A	SHEET(UPPER)
	132	LY31682-001B	LOCK(MONITOR)
	133	LY41605-002A	LABEL(UPPER)
	135	LY20600-003A	CAMERA OPE UNIT
	136	LY31906-001A	DECK OPE ASSY
	137	LY41393-004A	COVER(JIG CONN)
	138	LY41701-002A	SHEET(CAUTION)1
	139	LY42163-003A	SHEET(CAUTION)2
	140	LY30029-054C	SPACER(A)
	141	LY42406-001A	SHEET
	146	LY20581-003D	FRONT COVER ASSY
	146A	LY42276-001B	INDICATOR
	146B	LY42277-001A	WINDOW(IR)
	146D	LY31687-001A	PAD
	146E	LY42280-001A	SHEET(DF)
	146F	LY42281-001A	COVER(DV) ASSY
	146G	LY42286-001A	HINGE(AV)
	146H	LY42285-002A	COVER(AV)
	147	LY31761-002B	FRONT COVER2
	151	LY31767-001A	HOOD ASSY
	152	LY31691-001A	HOOK
	153	LY42287-001A	STUD(HOOK)
	154	LY42404-001A	SHEET
	155	LY40698-002A	LABEL(HOUSING)
	156	LY40699-002A	LABEL(PUSH)
	157	LY30016-0H5A	SPACER-A
	158	LY30029-074A	SPACER(A)
	161	QYSPSPT1740R	SCREW
	162	LY30018-063A	SPECIAL SCREW
	163	QYSPSPT1740R	SCREW,X2
	164	QYSPSGT1740Z	SCREW,X4
	165	QYSPSGT1740Z	SCREW
	166	QYSPSPT1725Z	SCREW,X2

#	△ REF No.	PART No.	PART NAME, DESCRIPTION
		167	LY30018-068A
		168	LY30018-0B9A
		169	LY30018-032A
		170	LY30018-020A
		171	LY30018-020A
		172	LY30019-007B
		173	LY30018-060A
		174	LY30018-093A
		175	LY30018-026A
		177	LY30018-043B
		178	LY30018-032A
		179	LY30018-096A
		180	LY30018-043B
		181	LY30018-066A
		182	LY30018-0B5A
		183	QYSPSPT1720R
		184	LY30018-0B5A
		191	LY30019-026A
		192	YQ43893-4
		193	QYSPSPT1735R
		194	YQ43893-4
		195	QYSPSPT1735R
		196	LY30018-070A
		197	LY30018-049A
		198	LY30019-023A
		199	QYSPSPT1735R
		200	QYSPSPT1720R
		201	LY30018-070A
		202	QYSPSPT1735R
		203	QYSPSPT1735R
		204	QYSPSPT1735R
		205	LY30018-060A
		206	LY30018-060A
		207	QYSPSPT1735R
		208	QYSPSPT1735R
		209	LY30018-0B8A
		210	LY30018-0B7A
		211	QYSPSGT1780R
		212	LY30018-0B8A
		213	QYSPSGT1712R
		214	QYSPSPT1735R
		215	LY30019-022A
		216	QYSPSPT1735R
		217	LY30018-070A
		221	LY20582-001A
		222	LY31758-001A
		223	LY31693-001A
		224	LY42290-001A
		225	LY42291-001A
		226	QAL0240-001
		227	WJT0034-001A
		228	LY42756-001B
		229	LY42748-001A
		229A	LY42677-001A
		230	LY31696-001A
		231	LY30029-095A
		232	LY42770-001A
		241	LY30483-001Q
		242	YQ43893-4
		243	LY41430-005A
		244	LY30029-090A
		245	LY41430-004A
			SPECIAL SCREW
			SPECIAL SCREW
			SPECIAL SCREW,X3
			SPECIAL SCREW,X4
			SPECIAL SCREW
			SPECIAL SCREW
			SPECIAL SCREW
			SPECIAL SCREW,X2
			SPECIAL SCREW,X3
			SPECIAL SCREW,X6
			SPECIAL SCREW,X2
			SCREW
			SPECIAL SCREW
			SPECIAL SCREW,X2
			MINI SCREW
			SCREW
			MINI SCREW
			SCREW
			SPECIAL SCREW
			SPECIAL SCREW,X5
			SPECIAL SCREW
			SCREW
			SCREW
			SPECIAL SCREW
			SCREW
			SCREW
			SCREW,X2
			SPECIAL SCREW
			SPECIAL SCREW
			SCREW
			SCREW
			SPECIAL SCREW
			SCREW
			SCREW
			SCREW,X2
			SPECIAL SCREW
			SPECIAL SCREW
			SCREW
			SCREW
			SCREW
			SCREW,X2
			SPECIAL SCREW
			BRACKET(MECHA)
			FPC ASSY(M.CN)
			BASE(T.P.)
			BRACKET(BASE)1
			BRACKET(BASE)2
			FPC,MDA CN208-MMC CN601
			E-CARD WIRE,AU/VF CN803-D.OPE
			HEAT TAPE
			SHIELD ASSY
			SHEET(CCD)
			SHIELD PLATE
			SPACER(A)
			SPACER(OP.M)
			CASSETTE HOUSING ASSY
			MINI SCREW,X3
			SPACER
			SPACER(A)
			SPACER
			- OPTICAL BLOCK SECTION -
		251	LYH20156-001A
		251A	LY31572-001A
		251B	LY31571-001A
		251C	LY30727-002A
		251E	LY30727-001A
		251F	LY42110-001A
		251G	LY30721-001A
		251H	QYSPSGU1750Z
		251J	LY31573-001A
		251K	YS40168G
			OPTICAL BLOCK ASSY
			ZOOM MOTOR
			FOCUS MOTOR
			SCREW,X5
			SCREW,X2
			OPTICAL LPF
			SPACER RUBBER
			SCREW,X2
			IRIS MOTOR UNIT
			CCD BASE ASSY

5.3 ELECTRICAL PARTS LIST

#	△	REF No.	PART No.	PART NAME, DESCRIPTION	#	△	REF No.	PART No.	PART NAME, DESCRIPTION

MAIN BOARD ASSEMBLY <01>									
		PW	YB10284C-02	MAIN BOARD ASSY			Q2751	RN1104FT	TRANSISTOR
		IC1001	YQ44866A	CSP IC ASSY			Q2752	2SA1832FT/G/-X	TRANSISTOR
		IC1002	MB90097PFV133	IC(MICRO C ROM)			Q2753	2SA1832FT/G/-X	TRANSISTOR
		IC1003	NM25C160LZEM8	IC			Q2754	2SC4738FT/G/-X	TRANSISTOR
			or AT25160N-10SC-X	IC			Q2755	UMX1N	PAIR TRANSISTOR
		IC1004	RS5C314	IC			Q2756	2SA1832FT/G/-X	TRANSISTOR
		IC1005	TC7W08FK	IC			Q2757	RN2104FT	TRANSISTOR
		IC1006	TC7W04FK	IC			Q2758	RN1104FT	TRANSISTOR
		IC1008	TC7W66FK	IC			Q2759	RN1104FT	TRANSISTOR
		IC1009	TC7W08FK	IC			Q2760	2SC4738FT/G/-X	TRANSISTOR
		IC1101	TA75W01FU	IC			Q3501	2SC4226/4/-X	TRANSISTOR
		IC1401	YQ44869A	CSP IC ASSY			Q3502	2SD1979/S/-X	TRANSISTOR
		IC1402	TC7W14FK	IC			Q3503	2SD1979/S/-X	TRANSISTOR
		IC1403	TC7W66FK	IC			Q3504	2SC4226/4/-X	TRANSISTOR
		IC1405	TC4W53FU	IC			Q3551	2SA1577/QR/-X	TRANSISTOR
		IC2701	SN74AHC1G66K	IC			Q3552	RN1104FT	TRANSISTOR
		IC2751	TC74HC4052AFT	IC			Q3701	RN1104FT	TRANSISTOR
		IC3001	JCY0106-2	IC			Q3707	UMT2N	PAIR TRANSISTOR
		IC3002	M51V18165D-50LS	IC			Q3708	2SA1832FT/G/-X	TRANSISTOR
		IC3004	TC7SL00FU	IC(DIGITAL)			Q3709	2SA1832FT/G/-X	TRANSISTOR
		IC3005	SN74AHC1G04K	IC			Q3710	2SA1832FT/G/-X	TRANSISTOR
		IC3101	PDI1394P11AEC	IC			Q3711	2SC4738FT/G/-X	TRANSISTOR
		IC3201	JCY0107-2	IC			Q3712	UMA2N	TRANSISTOR
		IC3202	TC7SH00FU	IC(DIGITAL)			Q3713	RN1104FT	TRANSISTOR
		IC3203	MM1385UN	IC			Q3731	2SA1832FT/G/-X	TRANSISTOR
		IC3301	JCY0108	IC			Q4351	2SA1832FT/G/-X	TRANSISTOR
		IC3501	AN3731FHQ	IC(DIGITAL)			Q4352	UMT2N	PAIR TRANSISTOR
		IC3701	NJM2538V	IC			Q4353	UMT2N	PAIR TRANSISTOR
		IC3702	MM1385HN	IC			Q4354	2SA1832FT/G/-X	TRANSISTOR
		IC4201	HD49325BHF	IC			Q6001	2SJ501	MOS FET
		IC4202	RH5RZ31CA	IC			Q6002	2SK3019	MOS FET
		IC4301	YQ44827A	IC				or 2SK1830	MOS FET
		IC4302	MM1385PN	IC			Q6003	2SJ347	MOS FET
		IC4304	TC7WH123FK	IC			Q6004	2SK3019	MOS FET
		IC4305	TC7W04FK	IC				or 2SK1830	MOS FET
		IC4401	M62366GP	IC			Q6005	RN1104FT	TRANSISTOR
△		IC5001	JCY0138	IC			Q6006	2SJ501	MOS FET
		IC5002	MM1385DN	IC			Q6007	RN47A3	TRANSISTOR
		IC5004	W194-70G-X	IC			Q6103	NDS352AP	MOS FET
		IC6001	S-80842ANNP-W	IC			Q6104	NDS352AP	MOS FET
		IC6002	S-81233SG-QF-X	IC			Q6105	NDS352AP	MOS FET
		IC6003	S-81330HG-KB-X	IC			Q6106	NDS352AP	MOS FET
		IC6004	S-80826ANNP-W	IC			Q6107	NDS352AP	MOS FET
		IC6101	BD9712KU	IC			Q6108	NDS352AP	MOS FET
		IC6401	MM1385XN	IC			Q6109	NDS351AN	MOS FET
		Q1401	DTA114EE	TRANSISTOR			Q6110	NDS352AP	MOS FET
			or RN2102	TRANSISTOR			Q6112	NDS352AP	MOS FET
		Q1402	UMC3N	TRANSISTOR			Q6113	NDS351AN	MOS FET
		Q1403	UMC3N	TRANSISTOR			Q6201	HN1C01FU/G/-X	PAIR TRANSISTOR
		Q1405	DTC143EE	TRANSISTOR			Q6202	2SA1577/QR/-X	TRANSISTOR
		Q1406	2SC4738FT/G/-X	TRANSISTOR			Q6203	2SC4617/QR/-X	TRANSISTOR
		Q1407	DTC124EE	TRANSISTOR			Q6204	HN1A01FU/G/-X	PAIR TRANSISTOR
		Q1408	RN1104FT	TRANSISTOR			Q6205	2SC4617/QR/-X	TRANSISTOR
		Q2701	RN1104FT	TRANSISTOR			Q6206	2SA1774/QR/-X	TRANSISTOR
		Q2703	2SC4738FT/G/-X	TRANSISTOR			Q6207	DTC144EE	TRANSISTOR
		Q2704	2SC4738FT/G/-X	TRANSISTOR			D1002	1SS357	SB DIODE
		Q2705	2SC4738FT/G/-X	TRANSISTOR			D1401	DA221	DIODE
							D2751	DAN222	DIODE
							D2752	DA221	DIODE
							D2753	DA221	DIODE
							D4101	1SS355	DIODE

#	△ REF No.	PART No.	PART NAME, DESCRIPTION	
△	D6001	RB706D-40-X	SB DIODE	
	D6002	RB715F	SB DIODE	
	D6101	EP10LA03	SB DIODE	
	D6102	EP10LA03	SB DIODE	
	D6103	EP10LA03	SB DIODE	
	D6106	EP10LA03	SB DIODE	
	D6107	EP10LA03	SB DIODE	
	D6108	EP10LA03	SB DIODE	
	D6109	EP10LA03	SB DIODE	
	D6201	1SS383	SB DIODE	
	D6202	1SS383	SB DIODE	
	D6203	MA8091/L/-X	ZENER DIODE	
	R1002	NRSA6AJ-104W	MG RESISTOR	100kΩ, 1/16W
	R1003	NRSA6AJ-104W	MG RESISTOR	100kΩ, 1/16W
	R1004	NRSA6AJ-0R0W	MG RESISTOR	0Ω, 1/16W
	R1005	NRSA6AJ-102W	MG RESISTOR	1kΩ, 1/16W
	R1006	NRSA6AJ-102W	MG RESISTOR	1kΩ, 1/16W
	R1007	NRSA6AJ-473W	MG RESISTOR	47kΩ, 1/16W
	R1009	NRSA6AJ-393W	MG RESISTOR	39kΩ, 1/16W
	R1010	NRSA6AJ-473W	MG RESISTOR	47kΩ, 1/16W
	R1011	NRSA6AJ-102W	MG RESISTOR	1kΩ, 1/16W
	R1012	NRSA6AJ-223W	MG RESISTOR	22kΩ, 1/16W
	R1013	NRSA6AJ-102W	MG RESISTOR	1kΩ, 1/16W
	R1015	NRSA6AJ-102W	MG RESISTOR	1kΩ, 1/16W
	R1016	NRSA6AJ-102W	MG RESISTOR	1kΩ, 1/16W
	R1017	NRSA6AJ-103W	MG RESISTOR	10kΩ, 1/16W
	R1018	NRSA6AJ-822W	MG RESISTOR	8.2kΩ, 1/16W
	R1019	NRSA6AJ-102W	MG RESISTOR	1kΩ, 1/16W
	R1020	NRSA6AJ-123W	MG RESISTOR	12kΩ, 1/16W
	R1021	NRSA6AJ-0R0W	MG RESISTOR	0Ω, 1/16W
	R1023	NRSA6AJ-0R0W	MG RESISTOR	0Ω, 1/16W
	R1024	NRSA6AJ-0R0W	MG RESISTOR	0Ω, 1/16W
	R1025	NRSA6AJ-0R0W	MG RESISTOR	0Ω, 1/16W
	R1028	NRSA6AJ-102W	MG RESISTOR	1kΩ, 1/16W
	R1030	NRSA6AJ-102W	MG RESISTOR	1kΩ, 1/16W
	R1031	NRSA6AJ-102W	MG RESISTOR	1kΩ, 1/16W
	R1032	NRSA6AJ-0R0W	MG RESISTOR	0Ω, 1/16W
	R1033	NRSA6AJ-102W	MG RESISTOR	1kΩ, 1/16W
	R1034	NRSA6AJ-0R0W	MG RESISTOR	0Ω, 1/16W
	R1035	NRSA6AJ-104W	MG RESISTOR	100kΩ, 1/16W
	R1036	NRSA63J-0R0X	MG RESISTOR	0Ω, 1/16W
	R1037	NRSA6AJ-103W	MG RESISTOR	10kΩ, 1/16W
	R1038	NRSA6AJ-103W	MG RESISTOR	10kΩ, 1/16W
	R1039	NRSA6AJ-102W	MG RESISTOR	1kΩ, 1/16W
	R1040	NRSA6AJ-102W	MG RESISTOR	1kΩ, 1/16W
	R1041	NRSA6AJ-104W	MG RESISTOR	100kΩ, 1/16W
	R1042	NRSA6AJ-473W	MG RESISTOR	47kΩ, 1/16W
	R1043	NRSA6AJ-103W	MG RESISTOR	10kΩ, 1/16W
	R1044	NRSA6AJ-472W	MG RESISTOR	4.7kΩ, 1/16W
	R1045	NRSA6AJ-222W	MG RESISTOR	2.2kΩ, 1/16W
	R1047	NRSA6AD-473W	MG RESISTOR	47kΩ, 1/16W
	R1048	NRSA6AJ-104W	MG RESISTOR	100kΩ, 1/16W
	R1050	NRSA6AJ-104W	MG RESISTOR	100kΩ, 1/16W
	R1052	NRSA6AJ-103W	MG RESISTOR	10kΩ, 1/16W
	R1053	NRSA6AJ-0R0W	MG RESISTOR	0Ω, 1/16W
	R1054	NRSA6AJ-0R0W	MG RESISTOR	0Ω, 1/16W
	R1055	NRSA6AJ-101W	MG RESISTOR	100Ω, 1/16W
	R1056	NRSA6AJ-101W	MG RESISTOR	100Ω, 1/16W
	R1058	NRSA6AJ-0R0W	MG RESISTOR	0Ω, 1/16W
	R1063	NRSA6AJ-102W	MG RESISTOR	1kΩ, 1/16W
	R1064	NRSA6AJ-473W	MG RESISTOR	47kΩ, 1/16W

#	△ REF No.	PART No.	PART NAME, DESCRIPTION	
	R1067	NRSA6AJ-102W	MG RESISTOR	1kΩ, 1/16W
	R1068	NRSA6AJ-102W	MG RESISTOR	1kΩ, 1/16W
	R1080	NRSA6AJ-0R0W	MG RESISTOR	0Ω, 1/16W
	R1082	NRSA6AJ-0R0W	MG RESISTOR	0Ω, 1/16W
	R1084	NRSA6AJ-0R0W	MG RESISTOR	0Ω, 1/16W
	R1087	NRSA6AJ-104W	MG RESISTOR	100kΩ, 1/16W
	R1101	NRSA6AJ-333W	MG RESISTOR	33kΩ, 1/16W
	R1102	NRSA6AJ-472W	MG RESISTOR	4.7kΩ, 1/16W
	R1104	NRSA6AJ-105W	MG RESISTOR	1MΩ, 1/16W
	R1106	NRSA6AJ-105W	MG RESISTOR	1MΩ, 1/16W
	R1107	NRSA6AJ-103W	MG RESISTOR	10kΩ, 1/16W
	R1108	NRSA6AJ-472W	MG RESISTOR	4.7kΩ, 1/16W
	R1109	NRSA6AJ-103W	MG RESISTOR	10kΩ, 1/16W
	R1401	NRSA6AJ-102W	MG RESISTOR	1kΩ, 1/16W
	R1402	NRSA6AJ-222W	MG RESISTOR	2.2kΩ, 1/16W
	R1403	NRSA6AJ-222W	MG RESISTOR	2.2kΩ, 1/16W
	R1404	NRSA6AJ-0R0W	MG RESISTOR	0Ω, 1/16W
	R1408	NRSA6AJ-472W	MG RESISTOR	4.7kΩ, 1/16W
	R1409	NRSA6AJ-331W	MG RESISTOR	330Ω, 1/16W
	R1410	NRSA6AJ-331W	MG RESISTOR	330Ω, 1/16W
	R1411	NRSA6AJ-473W	MG RESISTOR	47kΩ, 1/16W
	R1412	NRSA6AJ-331W	MG RESISTOR	330Ω, 1/16W
	R1415	NRSA6AJ-0R0W	MG RESISTOR	0Ω, 1/16W
	R1417	NRSA6AJ-102W	MG RESISTOR	1kΩ, 1/16W
	R1418	NRSA6AJ-221W	MG RESISTOR	220Ω, 1/16W
	R1419	NRSA6AJ-221W	MG RESISTOR	220Ω, 1/16W
	R1420	NRSA6AJ-473W	MG RESISTOR	47kΩ, 1/16W
	R1422	NRSA6AJ-332W	MG RESISTOR	3.3kΩ, 1/16W
	R1423	NRSA6AJ-332W	MG RESISTOR	3.3kΩ, 1/16W
	R1424	NRSA6AJ-332W	MG RESISTOR	3.3kΩ, 1/16W
	R1425	NRSA6AJ-753W	MG RESISTOR	75kΩ, 1/16W
	R1426	NRSA6AJ-334W	MG RESISTOR	330kΩ, 1/16W
	R1427	NRSA6AJ-103W	MG RESISTOR	10kΩ, 1/16W
	R1428	NRSA6AJ-153W	MG RESISTOR	15kΩ, 1/16W
	R1429	NRSA6AJ-102W	MG RESISTOR	1kΩ, 1/16W
	R1430	NRSA6AJ-102W	MG RESISTOR	1kΩ, 1/16W
	R1431	NRSA6AJ-683W	MG RESISTOR	68kΩ, 1/16W
	R1432	NRSA6AJ-102W	MG RESISTOR	1kΩ, 1/16W
	R1433	NRSA6AJ-683W	MG RESISTOR	68kΩ, 1/16W
	R1434	NRSA63J-101X	MG RESISTOR	100Ω, 1/16W
	R1436	NRSA63J-820X	MG RESISTOR	82Ω, 1/16W
	R1438	NRSA6AJ-0R0W	MG RESISTOR	0Ω, 1/16W
	R1439	NRSA6AJ-332W	MG RESISTOR	3.3kΩ, 1/16W
	R1440	NRSA6AJ-332W	MG RESISTOR	3.3kΩ, 1/16W
	R1441	NRSA6AJ-332W	MG RESISTOR	3.3kΩ, 1/16W
	R1442	NRSA6AJ-332W	MG RESISTOR	3.3kΩ, 1/16W
	R1443	NRSA6AJ-0R0W	MG RESISTOR	0Ω, 1/16W
	R1444	NRSA6AJ-0R0W	MG RESISTOR	0Ω, 1/16W
	R1447	NRSA6AJ-103W	MG RESISTOR	10kΩ, 1/16W
	R1448	NRSA6AJ-153W	MG RESISTOR	15kΩ, 1/16W
	R1449	NRSA6AJ-472W	MG RESISTOR	4.7kΩ, 1/16W
	R1450	NRSA6AJ-103W	MG RESISTOR	10kΩ, 1/16W
	R1451	NRSA6AJ-224W	MG RESISTOR	220kΩ, 1/16W
	R1452	NRSA6AJ-334W	MG RESISTOR	330kΩ, 1/16W
	R1453	NRSA6AJ-103W	MG RESISTOR	10kΩ, 1/16W
	R1454	NRSA6AJ-474W	MG RESISTOR	470kΩ, 1/16W
	R1455	NRSA6AJ-154W	MG RESISTOR	150kΩ, 1/16W
	R1456	NRSA6AJ-473W	MG RESISTOR	47kΩ, 1/16W
	R1457	NRSA6AJ-272W	MG RESISTOR	2.7kΩ, 1/16W
	R1458	NRSA6AJ-183W	MG RESISTOR	18kΩ, 1/16W
	R1459	NRSA6AJ-472W	MG RESISTOR	4.7kΩ, 1/16W

#	△ REF No.	PART No.	PART NAME, DESCRIPTION	#	△ REF No.	PART No.	PART NAME, DESCRIPTION
R1460		NRSA6AJ-103W	MG RESISTOR 10kΩ,1/16W	R2771		NRSA6AJ-0R0W	MG RESISTOR 0Ω,1/16W
R1461		NRSA6AJ-104W	MG RESISTOR 100kΩ,1/16W	R2772		NRSA6AJ-0R0W	MG RESISTOR 0Ω,1/16W
R1462		NRSA6AJ-102W	MG RESISTOR 1kΩ,1/16W	R2773		NRSA6AJ-0R0W	MG RESISTOR 0Ω,1/16W
R1463		NRSA6AJ-102W	MG RESISTOR 1kΩ,1/16W	R2774		NRSA6AJ-102W	MG RESISTOR 1kΩ,1/16W
R1464		NRSA6AJ-102W	MG RESISTOR 1kΩ,1/16W	R3001		NRSA6AJ-101W	MG RESISTOR 100Ω,1/16W
R1465		NRSA6AJ-103W	MG RESISTOR 10kΩ,1/16W	R3002		NRSA6AJ-105W	MG RESISTOR 1MΩ,1/16W
R1466		NRSA6AJ-474W	MG RESISTOR 470kΩ,1/16W	R3003		NRSA6AJ-471W	MG RESISTOR 470Ω,1/16W
R1469		NRSA6AJ-102W	MG RESISTOR 1kΩ,1/16W	R3004		NRSA6AJ-331W	MG RESISTOR 330Ω,1/16W
R1470		NRSA6AJ-473W	MG RESISTOR 47kΩ,1/16W	R3006		NRSA6AJ-0R0W	MG RESISTOR 0Ω,1/16W
R1471		NRSA6AJ-102W	MG RESISTOR 1kΩ,1/16W	R3007		NRSA6AJ-0R0W	MG RESISTOR 0Ω,1/16W
R1472		NRSA6AJ-473W	MG RESISTOR 47kΩ,1/16W	R3008		NRSA6AJ-0R0W	MG RESISTOR 0Ω,1/16W
R1474		NRSA6AJ-472W	MG RESISTOR 4.7kΩ,1/16W	R3010		NRSA6AJ-0R0W	MG RESISTOR 0Ω,1/16W
R1478		NRSA63J-0R0X	MG RESISTOR 0Ω,1/16W	R3012		NRSA6AJ-0R0W	MG RESISTOR 0Ω,1/16W
R1480		NRSA6AJ-682W	MG RESISTOR 6.8kΩ,1/16W	R3014		NRSA6AJ-124W	MG RESISTOR 120kΩ,1/16W
R1481		NRSA6AJ-392W	MG RESISTOR 3.9kΩ,1/16W	R3015		NRSA6AJ-124W	MG RESISTOR 120kΩ,1/16W
R1482		NRSA6AJ-272W	MG RESISTOR 2.7kΩ,1/16W	R3016		NRSA6AJ-0R0W	MG RESISTOR 0Ω,1/16W
R1483		NRSA6AJ-182W	MG RESISTOR 1.8kΩ,1/16W	R3017		NRSA6AJ-272W	MG RESISTOR 2.7kΩ,1/16W
R1484		NRSA6AJ-152W	MG RESISTOR 1.5kΩ,1/16W	R3018		NRSA6AJ-102W	MG RESISTOR 1kΩ,1/16W
R1485		NRSA6AJ-103W	MG RESISTOR 10kΩ,1/16W	R3019		NRSA6AJ-101W	MG RESISTOR 100Ω,1/16W
R1486		NRSA6AJ-272W	MG RESISTOR 2.7kΩ,1/16W	R3021		NRSA6AJ-0R0W	MG RESISTOR 0Ω,1/16W
R1487		NRSA6AJ-182W	MG RESISTOR 1.8kΩ,1/16W	R3022		NRSA6AJ-0R0W	MG RESISTOR 0Ω,1/16W
R1488		NRSA6AJ-152W	MG RESISTOR 1.5kΩ,1/16W	R3024		NRSA6AJ-100W	MG RESISTOR 10Ω,1/16W
R1489		NRSA6AJ-103W	MG RESISTOR 10kΩ,1/16W	R3026		NRSA6AJ-0R0W	MG RESISTOR 0Ω,1/16W
R1490		NRSA6AJ-393W	MG RESISTOR 39kΩ,1/16W	R3031		NRSA6AJ-472W	MG RESISTOR 4.7kΩ,1/16W
R1491		NRSA6AJ-273W	MG RESISTOR 27kΩ,1/16W	R3032		NRSA6AJ-682W	MG RESISTOR 6.8kΩ,1/16W
R1495		NRSA6AJ-272W	MG RESISTOR 2.7kΩ,1/16W	R3033		NRSA6AJ-105W	MG RESISTOR 1MΩ,1/16W
R1496		NRSA6AJ-182W	MG RESISTOR 1.8kΩ,1/16W	R3036		NRSA6AJ-105W	MG RESISTOR 1MΩ,1/16W
R1497		NRSA6AJ-152W	MG RESISTOR 1.5kΩ,1/16W	R3037		NRSA6AJ-101W	MG RESISTOR 100Ω,1/16W
R1498		NRSA6AJ-103W	MG RESISTOR 10kΩ,1/16W	R3038		NRSA6AJ-0R0W	MG RESISTOR 0Ω,1/16W
R1499		NRSA6AJ-473W	MG RESISTOR 47kΩ,1/16W	R3039		NRSA6AJ-0R0W	MG RESISTOR 0Ω,1/16W
R2701		NRSA6AJ-221W	MG RESISTOR 220Ω,1/16W	R3040		NRSA6AJ-0R0W	MG RESISTOR 0Ω,1/16W
R2702		NRSA6AJ-100W	MG RESISTOR 10Ω,1/16W	R3041		NRSA6AJ-0R0W	MG RESISTOR 0Ω,1/16W
R2705		NRSA6AJ-0R0W	MG RESISTOR 0Ω,1/16W	R3101		NRSA6AJ-331W	MG RESISTOR 330Ω,1/16W
R2706		NRSA6AJ-104W	MG RESISTOR 100kΩ,1/16W	R3102		NRSA6AJ-103W	MG RESISTOR 10kΩ,1/16W
R2709		NRSA6AJ-221W	MG RESISTOR 220Ω,1/16W	R3103		NRSA6AJ-331W	MG RESISTOR 330Ω,1/16W
R2710		NRSA6AJ-332W	MG RESISTOR 3.3kΩ,1/16W	R3104		NRSA6AJ-394W	MG RESISTOR 390kΩ,1/16W
R2711		NRSA6AJ-103W	MG RESISTOR 10kΩ,1/16W	R3105		NRSA6AJ-104W	MG RESISTOR 100kΩ,1/16W
R2712		NRSA6AJ-103W	MG RESISTOR 10kΩ,1/16W	R3106		NRSA6AJ-472W	MG RESISTOR 4.7kΩ,1/16W
R2713		NRSA6AJ-822W	MG RESISTOR 8.2kΩ,1/16W	R3107		NRSA6AJ-560W	MG RESISTOR 56Ω,1/16W
R2714		NRSA6AJ-822W	MG RESISTOR 8.2kΩ,1/16W	R3108		NRSA6AJ-560W	MG RESISTOR 56Ω,1/16W
R2716		NRSA6AJ-0R0W	MG RESISTOR 0Ω,1/16W	R3109		NRSA6AJ-560W	MG RESISTOR 56Ω,1/16W
R2719		NRSA6AJ-103W	MG RESISTOR 10kΩ,1/16W	R3110		NRSA6AJ-560W	MG RESISTOR 56Ω,1/16W
R2721		NRSA6AJ-103W	MG RESISTOR 10kΩ,1/16W	R3111		NRSA6AJ-512W	MG RESISTOR 5.1kΩ,1/16W
R2722		NRSA6AJ-0R0W	MG RESISTOR 0Ω,1/16W	R3112		NRSA6AJ-0R0W	MG RESISTOR 0Ω,1/16W
R2725		NRSA6AJ-332W	MG RESISTOR 3.3kΩ,1/16W	R3113		NRSA6AJ-474W	MG RESISTOR 470kΩ,1/16W
R2751		NRSA6AJ-820W	MG RESISTOR 82Ω,1/16W	R3114		NRSA6AJ-512W	MG RESISTOR 5.1kΩ,1/16W
R2752		NRSA6AJ-820W	MG RESISTOR 82Ω,1/16W	R3201		NRSA6AJ-0R0W	MG RESISTOR 0Ω,1/16W
R2753		NRSA6AJ-104W	MG RESISTOR 100kΩ,1/16W	R3202		NRSA6AJ-0R0W	MG RESISTOR 0Ω,1/16W
R2754		NRSA6AJ-104W	MG RESISTOR 100kΩ,1/16W	R3203		NRSA6AJ-272W	MG RESISTOR 2.7kΩ,1/16W
R2755		NRSA6AJ-104W	MG RESISTOR 100kΩ,1/16W	R3204		NRSA6AJ-473W	MG RESISTOR 47kΩ,1/16W
R2756		NRSA6AJ-332W	MG RESISTOR 3.3kΩ,1/16W	R3208		NRSA6AJ-820W	MG RESISTOR 82Ω,1/16W
R2757		NRSA6AJ-564W	MG RESISTOR 560kΩ,1/16W	R3209		NRSA6AJ-101W	MG RESISTOR 100Ω,1/16W
R2758		NRSA6AJ-564W	MG RESISTOR 560kΩ,1/16W	R3211		NRSA6AJ-105W	MG RESISTOR 1MΩ,1/16W
R2759		NRSA6AJ-821W	MG RESISTOR 820Ω,1/16W	R3303		NRSA6AJ-823W	MG RESISTOR 82kΩ,1/16W
R2760		NRSA6AJ-821W	MG RESISTOR 820Ω,1/16W	R3305		NRSA6AJ-121W	MG RESISTOR 120Ω,1/16W
R2764		NRSA6AJ-182W	MG RESISTOR 1.8kΩ,1/16W	R3306		NRSA6AJ-391W	MG RESISTOR 390Ω,1/16W
R2766		NRSA6AJ-0R0W	MG RESISTOR 0Ω,1/16W	R3308		NRSA6AJ-152W	MG RESISTOR 1.5kΩ,1/16W
R2767		NRSA6AJ-222W	MG RESISTOR 2.2kΩ,1/16W	R3310		NRSA6AJ-102W	MG RESISTOR 1kΩ,1/16W
R2768		NRSA6AJ-564W	MG RESISTOR 560kΩ,1/16W	R3312		NRSA6AJ-222W	MG RESISTOR 2.2kΩ,1/16W
R2769		NRSA6AJ-152W	MG RESISTOR 1.5kΩ,1/16W	R3315		NRSA6AJ-103W	MG RESISTOR 10kΩ,1/16W
R2770		NRSA6AJ-104W	MG RESISTOR 100kΩ,1/16W	R3316		NRSA6AJ-0R0W	MG RESISTOR 0Ω,1/16W

#	△ REF No.	PART No.	PART NAME, DESCRIPTION	#	△ REF No.	PART No.	PART NAME, DESCRIPTION
R3317		NRSA6AJ-222W	MG RESISTOR 2.2kΩ, 1/16W	R3711		NRSA6AJ-680W	MG RESISTOR 68Ω, 1/16W
R3318		NRSA6AJ-562W	MG RESISTOR 5.6kΩ, 1/16W	R3713		NRSA6AJ-680W	MG RESISTOR 68Ω, 1/16W
R3319		NRSA6AJ-102W	MG RESISTOR 1kΩ, 1/16W	R3720		NRSA6AJ-472W	MG RESISTOR 4.7kΩ, 1/16W
R3320		NRSA6AJ-102W	MG RESISTOR 1kΩ, 1/16W	R3721		NRSA6AJ-203W	MG RESISTOR 20kΩ, 1/16W
R3322		NRSA6AJ-222W	MG RESISTOR 2.2kΩ, 1/16W	R3722		NRSA6AJ-103W	MG RESISTOR 10kΩ, 1/16W
R3323		NRSA6AJ-823W	MG RESISTOR 82kΩ, 1/16W	R3723		NRSA6AJ-103W	MG RESISTOR 10kΩ, 1/16W
R3324		NRSA6AJ-223W	MG RESISTOR 22kΩ, 1/16W	R3724		NRSA6AJ-103W	MG RESISTOR 10kΩ, 1/16W
R3325		NRSA6AJ-103W	MG RESISTOR 10kΩ, 1/16W	R3725		NRSA6AJ-100W	MG RESISTOR 10Ω, 1/16W
R3326		NRSA6AJ-103W	MG RESISTOR 10kΩ, 1/16W	R3726		NRSA6AJ-100W	MG RESISTOR 10Ω, 1/16W
R3327		NRSA6AJ-103W	MG RESISTOR 10kΩ, 1/16W	R3727		NRSA6AJ-680W	MG RESISTOR 68Ω, 1/16W
R3328		NRSA6AJ-822W	MG RESISTOR 8.2kΩ, 1/16W	R3728		NRSA6AJ-821W	MG RESISTOR 820Ω, 1/16W
R3329		NRSA6AJ-105W	MG RESISTOR 1MΩ, 1/16W	R3731		NRVA6AD-681W	CMF RESISTOR 680Ω, 1/16W
R3330		NRSA6AJ-473W	MG RESISTOR 47kΩ, 1/16W	R3732		NRVA6AD-472W	CMF RESISTOR 4.7kΩ, 1/16W
R3331		NRSA6AJ-473W	MG RESISTOR 47kΩ, 1/16W	R3733		NRVA6AD-332W	CMF RESISTOR 3.3kΩ, 1/16W
R3332		NRSA6AJ-823W	MG RESISTOR 82kΩ, 1/16W	R3734		NRSA6AJ-222W	MG RESISTOR 2.2kΩ, 1/16W
R3333		NRSA6AJ-333W	MG RESISTOR 33kΩ, 1/16W	R4101		NRSA6AJ-104W	MG RESISTOR 100kΩ, 1/16W
R3334		NRSA6AJ-105W	MG RESISTOR 1MΩ, 1/16W	R4208		NRSA6AJ-223W	MG RESISTOR 22kΩ, 1/16W
R3335		NRSA6AJ-822W	MG RESISTOR 8.2kΩ, 1/16W	R4209		NRSA6AJ-220W	MG RESISTOR 22Ω, 1/16W
R3336		NRSA6AJ-103W	MG RESISTOR 10kΩ, 1/16W	R4211		NRSA6AJ-221W	MG RESISTOR 220Ω, 1/16W
R3337		NRSA6AJ-103W	MG RESISTOR 10kΩ, 1/16W	R4212		NRSA6AJ-221W	MG RESISTOR 220Ω, 1/16W
R3338		NRSA6AJ-123W	MG RESISTOR 12kΩ, 1/16W	R4213		NRSA6AJ-221W	MG RESISTOR 220Ω, 1/16W
R3339		NRSA6AJ-273W	MG RESISTOR 27kΩ, 1/16W	R4214		NRSA6AJ-221W	MG RESISTOR 220Ω, 1/16W
R3340		NRSA6AJ-473W	MG RESISTOR 47kΩ, 1/16W	R4215		NRSA6AJ-221W	MG RESISTOR 220Ω, 1/16W
R3341		NRSA6AJ-223W	MG RESISTOR 22kΩ, 1/16W	R4216		NRSA6AJ-221W	MG RESISTOR 220Ω, 1/16W
R3342		NRSA6AJ-102W	MG RESISTOR 1kΩ, 1/16W	R4217		NRSA6AJ-221W	MG RESISTOR 220Ω, 1/16W
R3344		NRSA6AJ-101W	MG RESISTOR 100Ω, 1/16W	R4218		NRSA6AJ-221W	MG RESISTOR 220Ω, 1/16W
R3349		NRSA6AJ-0R0W	MG RESISTOR 0Ω, 1/16W	R4219		NRSA6AJ-221W	MG RESISTOR 220Ω, 1/16W
R3350		NRSA6AJ-471W	MG RESISTOR 470Ω, 1/16W	R4220		NRSA6AJ-221W	MG RESISTOR 220Ω, 1/16W
R3351		NRSA6AJ-102W	MG RESISTOR 1kΩ, 1/16W	R4302		NRSA6AJ-330W	MG RESISTOR 33Ω, 1/16W
R3352		NRSA6AJ-562W	MG RESISTOR 5.6kΩ, 1/16W	R4303		NRSA6AJ-101W	MG RESISTOR 100Ω, 1/16W
R3353		NRSA6AJ-473W	MG RESISTOR 47kΩ, 1/16W	R4304		NRSA6AJ-101W	MG RESISTOR 100Ω, 1/16W
R3502		NRSA6AJ-471W	MG RESISTOR 470Ω, 1/16W	R4305		NRSA6AJ-101W	MG RESISTOR 100Ω, 1/16W
R3503		NRSA6AJ-103W	MG RESISTOR 10kΩ, 1/16W	R4306		NRSA6AJ-101W	MG RESISTOR 100Ω, 1/16W
R3504		NRSA6AJ-471W	MG RESISTOR 470Ω, 1/16W	R4308		NRSA6AJ-0R0W	MG RESISTOR 0Ω, 1/16W
R3505		NRSA6AJ-680W	MG RESISTOR 68Ω, 1/16W	R4313		NRSA6AJ-0R0W	MG RESISTOR 0Ω, 1/16W
R3506		NRSA6AJ-152W	MG RESISTOR 1.5kΩ, 1/16W	R4314		NRSA6AJ-0R0W	MG RESISTOR 0Ω, 1/16W
R3507		NRSA6AJ-123W	MG RESISTOR 12kΩ, 1/16W	R4315		NRSA6AJ-0R0W	MG RESISTOR 0Ω, 1/16W
R3508		NRSA6AJ-102W	MG RESISTOR 1kΩ, 1/16W	R4316		NRSA6AJ-0R0W	MG RESISTOR 0Ω, 1/16W
R3509		NRSA6AJ-181W	MG RESISTOR 180Ω, 1/16W	R4317		NRSA6AJ-0R0W	MG RESISTOR 0Ω, 1/16W
R3510		NRSA6AJ-181W	MG RESISTOR 180Ω, 1/16W	R4318		NRSA6AJ-101W	MG RESISTOR 100Ω, 1/16W
R3511		NRSA6AJ-102W	MG RESISTOR 1kΩ, 1/16W	R4320		NRSA6AJ-220W	MG RESISTOR 22Ω, 1/16W
R3512		NRSA6AJ-123W	MG RESISTOR 12kΩ, 1/16W	R4321		NRSA6AJ-220W	MG RESISTOR 22Ω, 1/16W
R3513		NRSA6AJ-152W	MG RESISTOR 1.5kΩ, 1/16W	R4322		NRSA6AJ-333W	MG RESISTOR 33kΩ, 1/16W
R3514		NRSA6AJ-680W	MG RESISTOR 68Ω, 1/16W	R4323		NRSA6AJ-333W	MG RESISTOR 33kΩ, 1/16W
R3515		NRSA6AJ-100W	MG RESISTOR 10Ω, 1/16W	R4327		NRSA6AJ-0R0W	MG RESISTOR 0Ω, 1/16W
R3516		NRSA6AJ-152W	MG RESISTOR 1.5kΩ, 1/16W	R4328		NRSA6AJ-220W	MG RESISTOR 22Ω, 1/16W
R3517		NRSA6AJ-102W	MG RESISTOR 1kΩ, 1/16W	R4329		NRSA6AJ-220W	MG RESISTOR 22Ω, 1/16W
R3551		NRSA6AJ-473W	MG RESISTOR 47kΩ, 1/16W	R4334		NRSA6AJ-220W	MG RESISTOR 22Ω, 1/16W
R3552		NRSA6AJ-392W	MG RESISTOR 3.9kΩ, 1/16W	R4335		NRSA6AJ-220W	MG RESISTOR 22Ω, 1/16W
R3554		NRSA6AJ-471W	MG RESISTOR 470Ω, 1/16W	R4336		NRSA6AJ-0R0W	MG RESISTOR 0Ω, 1/16W
R3555		NRSA6AJ-0R0W	MG RESISTOR 0Ω, 1/16W	R4338		NRSA6AJ-470W	MG RESISTOR 47Ω, 1/16W
R3556		NRSA6AJ-0R0W	MG RESISTOR 0Ω, 1/16W	R4339		NRSA6AJ-220W	MG RESISTOR 22Ω, 1/16W
R3701		NRSA6AJ-225W	MG RESISTOR 2.2MΩ, 1/16W	R4340		NRSA6AJ-220W	MG RESISTOR 22Ω, 1/16W
R3702		NRSA6AJ-103W	MG RESISTOR 10kΩ, 1/16W	R4341		NRSA6AJ-220W	MG RESISTOR 22Ω, 1/16W
R3703		NRSA6AJ-103W	MG RESISTOR 10kΩ, 1/16W	R4342		NRSA6AJ-220W	MG RESISTOR 22Ω, 1/16W
R3704		NRSA6AJ-121W	MG RESISTOR 120Ω, 1/16W	R4345		NRSA6AJ-220W	MG RESISTOR 22Ω, 1/16W
R3705		NRSA6AJ-121W	MG RESISTOR 120Ω, 1/16W	R4347		NRSA6AJ-123W	MG RESISTOR 12kΩ, 1/16W
R3706		NRSA6AJ-821W	MG RESISTOR 820Ω, 1/16W	R4348		NRSA6AJ-153W	MG RESISTOR 15kΩ, 1/16W
R3707		NRSA6AJ-224W	MG RESISTOR 220kΩ, 1/16W	R4351		NRSA6AJ-0R0W	MG RESISTOR 0Ω, 1/16W
R3708		NRSA6AJ-103W	MG RESISTOR 10kΩ, 1/16W	R4352		NRSA6AJ-0R0W	MG RESISTOR 0Ω, 1/16W
R3709		NRSA6AJ-680W	MG RESISTOR 68Ω, 1/16W	R4353		NRSA6AJ-0R0W	MG RESISTOR 0Ω, 1/16W

# ▲ REF No.	PART No.	PART NAME, DESCRIPTION	# ▲ REF No.	PART No.	PART NAME, DESCRIPTION
R4354	NRSA6AJ-0R0W	MG RESISTOR 0Ω,1/16W	R6011	NRSA6AJ-104W	MG RESISTOR 100kΩ,1/16W
R4355	NRVA6AD-333W	CMF RESISTOR 33kΩ,1/16W	R6012	NRVA6AD-823W	CMF RESISTOR 82kΩ,1/16W
R4356	NRVA6AD-333W	CMF RESISTOR 33kΩ,1/16W	R6013	NRVA6AD-473W	CMF RESISTOR 47kΩ,1/16W
R4358	NRVA6AD-163W	CMF RESISTOR 16kΩ,1/16W	▲ R6017	NRSA63J-102X	MG RESISTOR 1kΩ,1/16W
R4359	NRVA6AD-363W	CMF RESISTOR 36kΩ,1/16W	R6018	NRSA63J-471X	MG RESISTOR 470Ω,1/16W
R4360	NRVA6AD-163W	CMF RESISTOR 16kΩ,1/16W	R6019	NRSA63J-0R0X	MG RESISTOR 0Ω,1/16W
R4361	NRVA6AD-333W	CMF RESISTOR 33kΩ,1/16W	R6101	NRVA6AD-183W	CMF RESISTOR 18kΩ,1/16W
R4362	NRVA6AD-163W	CMF RESISTOR 16kΩ,1/16W	R6102	NRVA6AD-183W	CMF RESISTOR 18kΩ,1/16W
R4363	NRSA6AJ-153W	MG RESISTOR 15kΩ,1/16W	R6103	NRVA6AD-273W	CMF RESISTOR 27kΩ,1/16W
R4364	NRSA6AJ-103W	MG RESISTOR 10kΩ,1/16W	R6104	NRVA6AD-302W	CMF RESISTOR 3kΩ,1/16W
R4365	NRSA6AJ-0R0W	MG RESISTOR 0Ω,1/16W	R6105	NRVA6AD-473W	CMF RESISTOR 47kΩ,1/16W
R4367	NRSA6AJ-102W	MG RESISTOR 1kΩ,1/16W	R6106	NRVA6AD-242W	CMF RESISTOR 2.4kΩ,1/16W
R4369	NRVA6AD-181W	CMF RESISTOR 180Ω,1/16W	R6107	NRVA6AD-432W	CMF RESISTOR 4.3kΩ,1/16W
R4370	NRSA6AJ-102W	MG RESISTOR 1kΩ,1/16W	R6109	NRVA6AD-822W	CMF RESISTOR 8.2kΩ,1/16W
R4371	NRVA6AD-680W	CMF RESISTOR 68Ω,1/16W	R6110	NRVA6AD-473W	CMF RESISTOR 47kΩ,1/16W
R4372	NRSA6AJ-222W	MG RESISTOR 2.2kΩ,1/16W	R6111	NRVA6AD-243W	CMF RESISTOR 24kΩ,1/16W
R4373	NRSA6AJ-222W	MG RESISTOR 2.2kΩ,1/16W	R6112	NRVA6AD-182W	CMF RESISTOR 1.8kΩ,1/16W
R4374	NRVA6AD-560W	CMF RESISTOR 56Ω,1/16W	R6114	NRVA6AD-243W	CMF RESISTOR 24kΩ,1/16W
R4375	NRVA6AD-271W	CMF RESISTOR 270Ω,1/16W	R6115	NRVA6AD-302W	CMF RESISTOR 3kΩ,1/16W
R4376	NRSA6AJ-222W	MG RESISTOR 2.2kΩ,1/16W	R6117	NRVA6AD-512W	CMF RESISTOR 5.1kΩ,1/16W
R4377	NRVA6AD-270W	CMF RESISTOR 27Ω,1/16W	R6118	NRVA6AD-472W	CMF RESISTOR 4.7kΩ,1/16W
R4378	NRSA6AJ-222W	MG RESISTOR 2.2kΩ,1/16W	R6120	NRVA6AD-153W	CMF RESISTOR 15kΩ,1/16W
R4379	NRVA6AD-273W	CMF RESISTOR 27kΩ,1/16W	R6122	NRVA6AD-623W	CMF RESISTOR 62kΩ,1/16W
R4381	NRVA6AD-273W	CMF RESISTOR 27kΩ,1/16W	R6123	NRVA63D-682X	CMF RESISTOR 6.8kΩ,1/16W
R4382	NRVA6AD-273W	CMF RESISTOR 27kΩ,1/16W	R6124	NRVA6AD-223W	CMF RESISTOR 22kΩ,1/16W
R4383	NRSA6AJ-221W	MG RESISTOR 220Ω,1/16W	R6125	NRVA6AD-473W	CMF RESISTOR 47kΩ,1/16W
R4384	NRSA6AJ-221W	MG RESISTOR 220Ω,1/16W	R6126	NRVA63D-682X	CMF RESISTOR 6.8kΩ,1/16W
R4385	NRSA6AJ-221W	MG RESISTOR 220Ω,1/16W	R6127	NRVA6AD-223W	CMF RESISTOR 22kΩ,1/16W
R4386	NRSA6AJ-221W	MG RESISTOR 220Ω,1/16W	R6128	NRVA6AD-123W	CMF RESISTOR 12kΩ,1/16W
R4387	NRSA6AJ-221W	MG RESISTOR 220Ω,1/16W	R6129	NRVA6AD-473W	CMF RESISTOR 47kΩ,1/16W
R4388	NRSA6AJ-221W	MG RESISTOR 220Ω,1/16W	R6131	NRVA6AD-272W	CMF RESISTOR 2.7kΩ,1/16W
R4389	NRSA6AJ-221W	MG RESISTOR 220Ω,1/16W	R6132	NRVA6AD-302W	CMF RESISTOR 3kΩ,1/16W
R4390	NRSA6AJ-221W	MG RESISTOR 220Ω,1/16W	R6134	NRVA6AD-562W	CMF RESISTOR 5.6kΩ,1/16W
R5005	NRSA6AJ-220W	MG RESISTOR 22Ω,1/16W	R6135	NRVA6AD-102W	CMF RESISTOR 1kΩ,1/16W
R5006	NRSA6AJ-220W	MG RESISTOR 22Ω,1/16W	R6136	NRVA6AD-562W	CMF RESISTOR 5.6kΩ,1/16W
R5007	NRSA6AJ-220W	MG RESISTOR 22Ω,1/16W	R6138	NRVA6AD-333W	CMF RESISTOR 33kΩ,1/16W
R5010	NRSA6AJ-330W	MG RESISTOR 33Ω,1/16W	R6139	NRVA6AD-272W	CMF RESISTOR 2.7kΩ,1/16W
R5011	NRSA6AJ-330W	MG RESISTOR 33Ω,1/16W	R6140	NRVA6AD-302W	CMF RESISTOR 3kΩ,1/16W
R5012	NRSA6AJ-220W	MG RESISTOR 22Ω,1/16W	R6142	NRVA6AD-562W	CMF RESISTOR 5.6kΩ,1/16W
R5013	NRSA6AJ-0R0W	MG RESISTOR 0Ω,1/16W	R6143	NRVA6AD-682W	CMF RESISTOR 6.8kΩ,1/16W
R5014	NRSA6AJ-220W	MG RESISTOR 22Ω,1/16W	R6144	NRVA6AD-392W	CMF RESISTOR 3.9kΩ,1/16W
R5015	NRSA6AJ-220W	MG RESISTOR 22Ω,1/16W	R6146	NRVA6AD-472W	CMF RESISTOR 4.7kΩ,1/16W
R5016	NRSA6AJ-0R0W	MG RESISTOR 0Ω,1/16W	R6147	NRSA6AJ-4R7W	MG RESISTOR 4.7Ω,1/16W
R5018	NRSA6AJ-330W	MG RESISTOR 33Ω,1/16W	R6148	NRSA6AJ-4R7W	MG RESISTOR 4.7Ω,1/16W
R5020	NRSA6AJ-220W	MG RESISTOR 22Ω,1/16W	R6151	NRSA6AJ-4R7W	MG RESISTOR 4.7Ω,1/16W
R5021	NRSA6AJ-220W	MG RESISTOR 22Ω,1/16W	R6152	NRSA6AJ-4R7W	MG RESISTOR 4.7Ω,1/16W
R5022	NRSA6AJ-121W	MG RESISTOR 120Ω,1/16W	R6155	NRSA6AJ-330W	MG RESISTOR 33Ω,1/16W
R5024	NRSA6AJ-330W	MG RESISTOR 33Ω,1/16W	R6156	NRSA6AJ-4R7W	MG RESISTOR 4.7Ω,1/16W
R5025	NRSA6AJ-330W	MG RESISTOR 33Ω,1/16W	R6157	NRSA6AJ-330W	MG RESISTOR 33Ω,1/16W
R5026	NRSA6AJ-220W	MG RESISTOR 22Ω,1/16W	R6158	NRSA6AJ-330W	MG RESISTOR 33Ω,1/16W
R5027	NRSA6AJ-330W	MG RESISTOR 33Ω,1/16W	R6159	NRSA6AJ-102W	MG RESISTOR 1kΩ,1/16W
R5028	NRSA6AJ-330W	MG RESISTOR 33Ω,1/16W	R6163	NRSA6AJ-0R0W	MG RESISTOR 0Ω,1/16W
R6001	NRSA6AJ-104W	MG RESISTOR 100kΩ,1/16W	R6171	NRSA6AJ-0R0W	MG RESISTOR 0Ω,1/16W
R6002	NRVA6AD-183W	CMF RESISTOR 18kΩ,1/16W	R6201	NRSA6AJ-473W	MG RESISTOR 47kΩ,1/16W
R6003	NRSA6AJ-104W	MG RESISTOR 100kΩ,1/16W	R6202	NRVA6AD-273W	CMF RESISTOR 27kΩ,1/16W
R6004	NRSA6AJ-102W	MG RESISTOR 1kΩ,1/16W	R6203	NRVA6AD-153W	CMF RESISTOR 15kΩ,1/16W
R6005	NRSA6AJ-224W	MG RESISTOR 220kΩ,1/16W	R6204	NRVA6AD-473W	CMF RESISTOR 47kΩ,1/16W
R6006	NRSA6AJ-104W	MG RESISTOR 100kΩ,1/16W	R6205	NRVA6AD-823W	CMF RESISTOR 82kΩ,1/16W
R6007	NRSA6AJ-104W	MG RESISTOR 100kΩ,1/16W	R6206	NRVA6AD-473W	CMF RESISTOR 47kΩ,1/16W
R6009	NRSA6AJ-222W	MG RESISTOR 2.2kΩ,1/16W	R6207	NRSA6AJ-222W	MG RESISTOR 2.2kΩ,1/16W
R6010	NRSA6AJ-104W	MG RESISTOR 100kΩ,1/16W	R6209	NRVA6AD-563W	CMF RESISTOR 56kΩ,1/16W

#	△ REF No.	PART No.	PART NAME, DESCRIPTION	#	△ REF No.	PART No.	PART NAME, DESCRIPTION
R6210		NRVA6AD-683W	CMF RESISTOR 68kΩ,1/16W	C1424		NCBA1CK-103W	CAPACITOR 0.01μF,16V
R6211		NRVA6AD-333W	CMF RESISTOR 33kΩ,1/16W	C1425		NCBA1CK-103W	CAPACITOR 0.01μF,16V
R6212		NRVA6AD-333W	CMF RESISTOR 33kΩ,1/16W	C1426		NCBA1CK-103W	CAPACITOR 0.01μF,16V
R6213		NRVA6AD-333W	CMF RESISTOR 33kΩ,1/16W	C1427		NCBA1CK-223W	CAPACITOR 0.022μF,16V
R6214		NRSA6AJ-102W	MG RESISTOR 1kΩ,1/16W	C1428		NCBA1CK-223W	CAPACITOR 0.022μF,16V
R6215		NRSA6AJ-222W	MG RESISTOR 2.2kΩ,1/16W	C1429		NCBA1CK-223W	CAPACITOR 0.022μF,16V
R6216		NRVA6AD-104W	CMF RESISTOR 100kΩ,1/16W	C1430		NCBA1CK-223W	CAPACITOR 0.022μF,16V
R6217		NRVA6AD-823W	CMF RESISTOR 82kΩ,1/16W	C1431		NCB30JK-105X	CAPACITOR 1μF,6.3V
R6301		NRSA63J-0R0X	MG RESISTOR 0Ω,1/16W	C1440		NCBA1CK-103W	CAPACITOR 0.01μF,16V
RA1001		NRZ0034-102W	NETWORK RESISTOR 1kΩ	C1441		NCBA1CK-103W	CAPACITOR 0.01μF,16V
RA1002		NRZ0034-102W	NETWORK RESISTOR 1kΩ	C2704		NCB31CK-473X	CAPACITOR 0.047μF,16V
RA1003		NRZ0034-104W	NETWORK RESISTOR 100kΩ	C2705		NCBA1AK-104W	CAPACITOR 0.1μF,10V
RA1004		NRZ0034-104W	NETWORK RESISTOR 100kΩ	C2751		NBE20JM-106X	T CAPACITOR 10μF,6.3V
RA1005		NRZ0034-102W	NETWORK RESISTOR 1kΩ	C2752		PECA1172	E CAPACITOR 47μF,6.3V
RA1401		NRZ0034-473W	NETWORK RESISTOR 47kΩ	C2753		NCB30JK-105X	CAPACITOR 1μF,6.3V
RA1402		NRZ0034-102W	NETWORK RESISTOR 1kΩ	C2754		NCB30JK-105X	CAPACITOR 1μF,6.3V
RA1403		NRZ0034-102W	NETWORK RESISTOR 1kΩ	C2756		NCB31HK-822X	CAPACITOR 0.0082μF,50V
RA1404		NRZ0034-102W	NETWORK RESISTOR 1kΩ	C2757		NCB31HK-822X	CAPACITOR 0.0082μF,50V
RA1405		NRZ0034-102W	NETWORK RESISTOR 1kΩ	C2758		NBE81AM-106X	T CAPACITOR 10μF,10V
RA4307		NRZ0034-221W	NETWORK RESISTOR 220Ω	C2762		NCF31AZ-105X	CAPACITOR 1μF,10V
RA4308		NRZ0034-221W	NETWORK RESISTOR 220Ω	C2763		NBE40JM-476X	T CAPACITOR 47μF,6.3V
C1003		NCBA1AK-104W	CAPACITOR 0.1μF,10V	C2764		NCBA1AK-104W	CAPACITOR 0.1μF,10V
C1005		NDCA1HJ-330W	CAPACITOR 33pF,50V	C2765		NDCA1HJ-101W	CAPACITOR 100pF,50V
C1006		NDCA1HJ-150W	CAPACITOR 15pF,50V	C3001		NBE90GM-226X	T CAPACITOR 22μF,4.0V
C1007		NCBA1AK-104W	CAPACITOR 0.1μF,10V	C3003		NCB30JK-105X	CAPACITOR 1μF,6.3V
C1008		NCBA1CK-103W	CAPACITOR 0.01μF,16V	C3004		NBE90JM-106X	T CAPACITOR 10μF,6.3V
C1009		NCBA1AK-104W	CAPACITOR 0.1μF,10V	C3005		NDCA1HJ-8R0W	CAPACITOR 8pF,50V
C1010		NCBA1AK-104W	CAPACITOR 0.1μF,10V	C3006		NDCA1HJ-8R0W	CAPACITOR 8pF,50V
C1011		NCBA1AK-104W	CAPACITOR 0.1μF,10V	C3007		NCFA1AZ-104W	CAPACITOR 0.1μF,10V
C1012		NCBA1AK-104W	CAPACITOR 0.1μF,10V	C3010		NCFA1AZ-104W	CAPACITOR 0.1μF,10V
C1013		NDCA1HJ-130W	CAPACITOR 13pF,50V	C3011		NCFA1AZ-104W	CAPACITOR 0.1μF,10V
C1015		NCBA1CK-103W	CAPACITOR 0.01μF,16V	C3012		NCFA1AZ-104W	CAPACITOR 0.1μF,10V
C1017		NCBA1AK-104W	CAPACITOR 0.1μF,10V	C3013		NCFA1AZ-104W	CAPACITOR 0.1μF,10V
C1019		NCBA1AK-104W	CAPACITOR 0.1μF,10V	C3014		NCFA1AZ-104W	CAPACITOR 0.1μF,10V
C1020		NCBA1AK-104W	CAPACITOR 0.1μF,10V	C3015		NCFA1AZ-104W	CAPACITOR 0.1μF,10V
C1022		NBM90JM-226X	T CAPACITOR 22μF,6.3V	C3016		NCFA1AZ-104W	CAPACITOR 0.1μF,10V
C1023		NBM90JM-226X	T CAPACITOR 22μF,6.3V	C3017		NCBA1CK-103W	CAPACITOR 0.01μF,16V
C1101		NCBA1AK-104W	CAPACITOR 0.1μF,10V	C3018		NCBA1AK-104W	CAPACITOR 0.1μF,10V
C1102		NCBA1CK-223W	CAPACITOR 0.022μF,16V	C3019		NCBA1CK-103W	CAPACITOR 0.01μF,16V
C1103		NCBA1CK-223W	CAPACITOR 0.022μF,16V	C3021		NCB21CK-474X	CAPACITOR 0.47μF,16V
C1111		NCB30JK-105X	CAPACITOR 1μF,6.3V	C3032		NCBA1AK-104W	CAPACITOR 0.1μF,10V
C1112		NBE90JM-106X	T CAPACITOR 10μF,6.3V	C3041		NCBA1CK-103W	CAPACITOR 0.01μF,16V
C1113		NBE90JM-106X	T CAPACITOR 10μF,6.3V	C3042		NCFA1AZ-104W	CAPACITOR 0.1μF,10V
C1401		NBE90JM-106X	T CAPACITOR 10μF,6.3V	C3046		NCBA1CK-103W	CAPACITOR 0.01μF,16V
C1402		NBE90JM-106X	T CAPACITOR 10μF,6.3V	C3047		NCBA1AK-104W	CAPACITOR 0.1μF,10V
C1403		NCBA1CK-103W	CAPACITOR 0.01μF,16V	C3101		NCBA1AK-104W	CAPACITOR 0.1μF,10V
C1405		NCFA1AZ-104W	CAPACITOR 0.1μF,10V	C3104		NDCA1EJ-271W	CAPACITOR 270pF,25V
C1406		NCFA1AZ-104W	CAPACITOR 0.1μF,10V	C3105		NCB30JK-105X	CAPACITOR 1μF,6.3V
C1408		NCFA1AZ-104W	CAPACITOR 0.1μF,10V	C3106		NCB30JK-105X	CAPACITOR 1μF,6.3V
C1409		NCFA1AZ-104W	CAPACITOR 0.1μF,10V	C3107		NCB30JK-105X	CAPACITOR 1μF,6.3V
C1410		NCFA1AZ-104W	CAPACITOR 0.1μF,10V	C3108		NCBA1AK-104W	CAPACITOR 0.1μF,10V
C1411		NCFA1AZ-104W	CAPACITOR 0.1μF,10V	C3109		NCBA1AK-104W	CAPACITOR 0.1μF,10V
C1412		NCFA1AZ-104W	CAPACITOR 0.1μF,10V	C3110		NCBA1CK-103W	CAPACITOR 0.01μF,16V
C1413		NCFA1AZ-104W	CAPACITOR 0.1μF,10V	C3111		NBE90JM-106X	T CAPACITOR 10μF,6.3V
C1414		NCBA1CK-103W	CAPACITOR 0.01μF,16V	C3112		NBE90JM-106X	T CAPACITOR 10μF,6.3V
C1415		NCBA1CK-103W	CAPACITOR 0.01μF,16V	C3201		NBE90JM-106X	T CAPACITOR 10μF,6.3V
C1416		NCBA1CK-103W	CAPACITOR 0.01μF,16V	C3202		NCB30JK-105X	CAPACITOR 1μF,6.3V
C1420		NCBA1CK-103W	CAPACITOR 0.01μF,16V	C3203		NBZ0001-106X	T CAPACITOR 10μF
C1421		NCBA1CK-103W	CAPACITOR 0.01μF,16V	C3205		NCFA1AZ-104W	CAPACITOR 0.1μF,10V
C1422		NCBA1CK-103W	CAPACITOR 0.01μF,16V	C3206		NCFA1AZ-104W	CAPACITOR 0.1μF,10V
C1423		NCBA1CK-103W	CAPACITOR 0.01μF,16V	C3207		NCFA1AZ-104W	CAPACITOR 0.1μF,10V

#	△ REF No.	PART No.	PART NAME, DESCRIPTION	#	△ REF No.	PART No.	PART NAME, DESCRIPTION	
C3208		NCFA1AZ-104W	CAPACITOR	0.1μF,10V	C3519	NBE90JM-106X	T CAPACITOR	10μF,6.3V
C3209		NCBA1AK-104W	CAPACITOR	0.1μF,10V	C3520	NCBA1HK-152W	CAPACITOR	0.0015μF,50V
C3210		NCFA1AZ-104W	CAPACITOR	0.1μF,10V	C3521	NCBA1HK-122W	CAPACITOR	0.0012μF,50V
C3211		NCFA1AZ-104W	CAPACITOR	0.1μF,10V	C3522	NCBA1CK-103W	CAPACITOR	0.01μF,16V
C3212		NCFA1AZ-104W	CAPACITOR	0.1μF,10V	C3523	NCBA1CK-103W	CAPACITOR	0.01μF,16V
C3213		NCBA1CK-103W	CAPACITOR	0.01μF,16V	C3524	NDCA1HJ-470W	CAPACITOR	47pF,50V
C3214		NCBA1AK-104W	CAPACITOR	0.1μF,10V	C3525	NCBA1HK-681W	CAPACITOR	680pF,50V
C3215		NCFA1AZ-104W	CAPACITOR	0.1μF,10V	C3526	NBE90JM-106X	T CAPACITOR	10μF,6.3V
C3216		NCFA1AZ-104W	CAPACITOR	0.1μF,10V	C3527	NBE90JM-106X	T CAPACITOR	10μF,6.3V
C3217		NCFA1AZ-104W	CAPACITOR	0.1μF,10V	C3528	NBE90JM-106X	T CAPACITOR	10μF,6.3V
C3218		NCBA1AK-104W	CAPACITOR	0.1μF,10V	C3529	NCBA1AK-104W	CAPACITOR	0.1μF,10V
C3221		NCBA1CK-103W	CAPACITOR	0.01μF,16V	C3551	NBE40JM-476X	T CAPACITOR	47μF,6.3V
C3222		NCFA1AZ-104W	CAPACITOR	0.1μF,10V	C3552	NCBA1CK-103W	CAPACITOR	0.01μF,16V
C3301		NCB30JK-105X	CAPACITOR	1μF,6.3V	C3702	NCBA1CK-103W	CAPACITOR	0.01μF,16V
C3302		NBE90JM-106X	T CAPACITOR	10μF,6.3V	C3703	NCBA1CK-103W	CAPACITOR	0.01μF,16V
C3303		NBE90JM-106X	T CAPACITOR	10μF,6.3V	C3704	NBE90JM-106X	T CAPACITOR	10μF,6.3V
C3304		NCB30JK-105X	CAPACITOR	1μF,6.3V	C3705	NBE40GM-107X	T CAPACITOR	100μF,4.0V
C3305		NCBA1CK-103W	CAPACITOR	0.01μF,16V	C3706	NBE90GM-226X	T CAPACITOR	22μF,4.0V
C3306		NCBA1CK-103W	CAPACITOR	0.01μF,16V	C3707	NBZ0002-227X	T CAPACITOR	220μF
C3308		NCBA1CK-103W	CAPACITOR	0.01μF,16V	C3708	NBZ0002-227X	T CAPACITOR	220μF
C3309		NCBA1HK-102W	CAPACITOR	0.001μF,50V	C3709	NCBA1CK-103W	CAPACITOR	0.01μF,16V
C3310		NDCA1HJ-151W	CAPACITOR	150pF,50V	C3710	NCBA1AK-104W	CAPACITOR	0.1μF,10V
C3311		NCBA1CK-103W	CAPACITOR	0.01μF,16V	C3711	NCBA1AK-104W	CAPACITOR	0.1μF,10V
C3312		NCBA1CK-103W	CAPACITOR	0.01μF,16V	C3712	NRSA6AJ-0R0W	MG RESISTOR	0Ω,1/16W
C3313		NCBA1AK-104W	CAPACITOR	0.1μF,10V	C3713	NCBA1CK-103W	CAPACITOR	0.01μF,16V
C3314		NCBA1CK-103W	CAPACITOR	0.01μF,16V	C3714	NCBA1CK-103W	CAPACITOR	0.01μF,16V
C3315		NCBA1CK-103W	CAPACITOR	0.01μF,16V	C3715	NBE90JM-106X	T CAPACITOR	10μF,6.3V
C3316		NCB20JK-225X	CAPACITOR	2.2μF,6.3V	C3721	NBE20JM-226X	T CAPACITOR	22μF,6.3V
C3317		NCBA1AK-104W	CAPACITOR	0.1μF,10V	C3722	NCB30JK-105X	CAPACITOR	1μF,6.3V
C3318		NCBA1AK-683W	CAPACITOR	0.068μF,10V	C3723	NBE90JM-106X	T CAPACITOR	10μF,6.3V
C3319		NCB20JK-225X	CAPACITOR	2.2μF,6.3V	C3724	NCBA1CK-103W	CAPACITOR	0.01μF,16V
C3320		NCBA1AK-333W	CAPACITOR	0.033μF,10V	C3731	NDCA1HJ-120W	CAPACITOR	12pF,50V
C3321		NCBA1CK-103W	CAPACITOR	0.01μF,16V	C3732	NDCA1HJ-150W	CAPACITOR	15pF,50V
C3322		NCBA1AK-104W	CAPACITOR	0.1μF,10V	C3733	NDCA1HJ-470W	CAPACITOR	47pF,50V
C3324		NCBA1CK-103W	CAPACITOR	0.01μF,16V	C3734	NDCA1HJ-390W	CAPACITOR	39pF,50V
C3325		NCBA1CK-103W	CAPACITOR	0.01μF,16V	C3735	NCBA1CK-103W	CAPACITOR	0.01μF,16V
C3326		NCBA1AK-104W	CAPACITOR	0.1μF,10V	C3736	NCB31CK-104X	CAPACITOR	0.1μF,16V
C3327		NCBA1AK-104W	CAPACITOR	0.1μF,10V	C4101	NCF31EZ-104X	CAPACITOR	0.1μF,25V
C3328		NCBA1AK-104W	CAPACITOR	0.1μF,10V	C4102	NBP41EM-475X	T CAPACITOR	4.7μF,25V
C3329		NCBA1CK-103W	CAPACITOR	0.01μF,16V	C4103	NCF31EZ-104X	CAPACITOR	0.1μF,25V
C3330		NDCA1HJ-100W	CAPACITOR	10pF,50V	C4104	NCBA1AK-104W	CAPACITOR	0.1μF,10V
C3331		NCBA1AK-104W	CAPACITOR	0.1μF,10V	C4105	NBE41AM-476X	T CAPACITOR	47μF,10V
C3332		NCBA1CK-103W	CAPACITOR	0.01μF,16V	C4106	NCBA1AK-104W	CAPACITOR	0.1μF,10V
C3501		NCBA1CK-103W	CAPACITOR	0.01μF,16V	C4107	NCBA1AK-104W	CAPACITOR	0.1μF,10V
C3502		NCB30JK-105X	CAPACITOR	1μF,6.3V	C4109	NCF31EZ-104X	CAPACITOR	0.1μF,25V
C3503		NCBA1CK-103W	CAPACITOR	0.01μF,16V	C4111	NBP21VM-105X	T CAPACITOR	1μF,35V
C3504		NCBA1CK-103W	CAPACITOR	0.01μF,16V	C4201	NBE40JM-476X	T CAPACITOR	47μF,6.3V
C3505		NCBA1CK-103W	CAPACITOR	0.01μF,16V	C4202	NBE20GM-476X	T CAPACITOR	47μF,4.0V
C3506		NCBA1HK-152W	CAPACITOR	0.0015μF,50V	C4203	NCBA1CK-103W	CAPACITOR	0.01μF,16V
C3507		NBE90JM-106X	T CAPACITOR	10μF,6.3V	C4204	NCBA1AK-104W	CAPACITOR	0.1μF,10V
C3508		NDCA1HJ-330W	CAPACITOR	33pF,50V	C4205	NBE20GM-476X	T CAPACITOR	47μF,4.0V
C3509		NCBA1CK-103W	CAPACITOR	0.01μF,16V	C4207	NBE90JM-106X	T CAPACITOR	10μF,6.3V
C3510		NCBA1CK-103W	CAPACITOR	0.01μF,16V	C4208	NBE41AM-476X	T CAPACITOR	47μF,10V
C3511		NDCA1HJ-220W	CAPACITOR	22pF,50V	C4209	NBE41AM-476X	T CAPACITOR	47μF,10V
C3512		NBE90JM-106X	T CAPACITOR	10μF,6.3V	C4210	NCBA1AK-104W	CAPACITOR	0.1μF,10V
C3513		NCBA1CK-103W	CAPACITOR	0.01μF,16V	C4211	NCF31EZ-104X	CAPACITOR	0.1μF,25V
C3514		NBE90JM-106X	T CAPACITOR	10μF,6.3V	C4212	NBP41DM-106X	T CAPACITOR	10μF,20V
C3515		NDCA1HJ-220W	CAPACITOR	22pF,50V	C4215	NCBA1AK-104W	CAPACITOR	0.1μF,10V
C3516		NCBA1CK-103W	CAPACITOR	0.01μF,16V	C4216	NCBA1AK-104W	CAPACITOR	0.1μF,10V
C3517		NCBA1CK-103W	CAPACITOR	0.01μF,16V	C4217	NCBA1CK-123W	CAPACITOR	0.012μF,16V
C3518		NDCA1HJ-330W	CAPACITOR	33pF,50V	C4218	NCBA1AK-104W	CAPACITOR	0.1μF,10V

#	△ REF No.	PART No.	PART NAME, DESCRIPTION	#	△ REF No.	PART No.	PART NAME, DESCRIPTION
C4219		NCB30JK-474X	CAPACITOR 0.47μF,6.3V	C5017		NCBA1AK-104W	CAPACITOR 0.1μF,10V
C4220		NCB30JK-105X	CAPACITOR 1μF,6.3V	C5018		NCB30JK-105X	CAPACITOR 1μF,6.3V
C4221		NCB30JK-105X	CAPACITOR 1μF,6.3V	C5019		NCB30JK-105X	CAPACITOR 1μF,6.3V
C4222		NCB30JK-105X	CAPACITOR 1μF,6.3V	C5214		NBE41AM-476X	T CAPACITOR 47μF,10V
C4223		NCBA1AK-104W	CAPACITOR 0.1μF,10V	C5215		NBE41AM-476X	T CAPACITOR 47μF,10V
C4224		NCB30JK-105X	CAPACITOR 1μF,6.3V	C5216		NBE41AM-476X	T CAPACITOR 47μF,10V
C4225		NCB30JK-105X	CAPACITOR 1μF,6.3V	C5217		NCF31EZ-104X	CAPACITOR 0.1μF,25V
C4226		NCBA1AK-104W	CAPACITOR 0.1μF,10V	C5218		NCBA1AK-104W	CAPACITOR 0.1μF,10V
C4227		NCBA1AK-104W	CAPACITOR 0.1μF,10V	C5219		NCBA1AK-104W	CAPACITOR 0.1μF,10V
C4228		NCBA1CK-103W	CAPACITOR 0.01μF,16V	C5220		NCBA1AK-104W	CAPACITOR 0.1μF,10V
C4229		NCBA1CK-103W	CAPACITOR 0.01μF,16V	C5221		NBE20JM-106X	T CAPACITOR 10μF,6.3V
C4230		NCBA1CK-103W	CAPACITOR 0.01μF,16V	C6001		NCBA1AK-104W	CAPACITOR 0.1μF,10V
C4231		NCBA1CK-103W	CAPACITOR 0.01μF,16V	C6002		NCBA1CK-103W	CAPACITOR 0.01μF,16V
C4233		NCBA1CK-103W	CAPACITOR 0.01μF,16V	C6003		NCBA1AK-104W	CAPACITOR 0.1μF,10V
C4301		NCB30JK-105X	CAPACITOR 1μF,6.3V	C6004		NBE90JM-106X	T CAPACITOR 10μF,6.3V
C4302		NBE90JM-106X	T CAPACITOR 10μF,6.3V	C6005		NBP21CM-685X	T CAPACITOR 6.8μF,16V
C4303		NCBA1AK-104W	CAPACITOR 0.1μF,10V	C6006		NCF31AZ-105X	CAPACITOR 1μF,10V
C4304		NBE90JM-106X	T CAPACITOR 10μF,6.3V	C6007		NBE90JM-106X	T CAPACITOR 10μF,6.3V
C4305		NBE90JM-106X	T CAPACITOR 10μF,6.3V	C6008		NCBA1AK-104W	CAPACITOR 0.1μF,10V
C4306		NCB30JK-105X	CAPACITOR 1μF,6.3V	C6009		NCBA1CK-103W	CAPACITOR 0.01μF,16V
C4307		NBE90JM-106X	T CAPACITOR 10μF,6.3V	C6101		NCB31AK-474X	CAPACITOR 0.47μF,10V
C4308		NCBA1AK-104W	CAPACITOR 0.1μF,10V	C6102		NCB31AK-224X	CAPACITOR 0.22μF,10V
C4309		NCBA1AK-104W	CAPACITOR 0.1μF,10V	C6103		NCB31CK-104X	CAPACITOR 0.1μF,16V
C4310		NBG40GM-226X	T CAPACITOR 22μF,4.0V	C6104		NCBA1AK-104W	CAPACITOR 0.1μF,10V
C4312		NCBA1AK-104W	CAPACITOR 0.1μF,10V	C6106		NCBA1AK-104W	CAPACITOR 0.1μF,10V
C4313		NCBA1AK-104W	CAPACITOR 0.1μF,10V	C6108		NCBA1AK-104W	CAPACITOR 0.1μF,10V
C4315		NCBA1AK-104W	CAPACITOR 0.1μF,10V	C6110		NCBA1AK-104W	CAPACITOR 0.1μF,10V
C4316		NCBA1AK-104W	CAPACITOR 0.1μF,10V	C6112		NCB31AK-224X	CAPACITOR 0.22μF,10V
C4317		NCBA1AK-104W	CAPACITOR 0.1μF,10V	C6114		NDCA1HJ-100W	CAPACITOR 10pF,50V
C4318		NCBA1AK-104W	CAPACITOR 0.1μF,10V	C6115		NDCA1HJ-121W	CAPACITOR 120pF,50V
C4319		NCBA1AK-104W	CAPACITOR 0.1μF,10V	C6116		NCBA1AK-104W	CAPACITOR 0.1μF,10V
C4320		NCBA1AK-104W	CAPACITOR 0.1μF,10V	C6117		NCBA1AK-104W	CAPACITOR 0.1μF,10V
C4321		NCBA1AK-104W	CAPACITOR 0.1μF,10V	C6118		NBP41CM-106X	T CAPACITOR 10μF,16V
C4323		NCBA1AK-104W	CAPACITOR 0.1μF,10V	C6119		NCB31EK-103X	CAPACITOR 0.01μF,25V
C4324		NCBA1HK-331W	CAPACITOR 330pF,50V	C6120		NCBA1AK-104W	CAPACITOR 0.1μF,10V
C4351		NCBA1AK-104W	CAPACITOR 0.1μF,10V	C6122		NCBA1AK-104W	CAPACITOR 0.1μF,10V
C4352		NCBA1AK-104W	CAPACITOR 0.1μF,10V	C6124		NCBA1AK-104W	CAPACITOR 0.1μF,10V
C4353		NCB30JK-105X	CAPACITOR 1μF,6.3V	C6126		NCBA1AK-104W	CAPACITOR 0.1μF,10V
C4355		NCB30JK-105X	CAPACITOR 1μF,6.3V	C6128		NCB21AK-105X	CAPACITOR 1μF,10V
C4357		NCB30JK-105X	CAPACITOR 1μF,6.3V	C6129		NCB21AK-105X	CAPACITOR 1μF,10V
C4359		NCB30JK-105X	CAPACITOR 1μF,6.3V	C6130		NCB21AK-105X	CAPACITOR 1μF,10V
C4361		NCBA1AK-104W	CAPACITOR 0.1μF,10V	C6131		NCB21AK-105X	CAPACITOR 1μF,10V
C4362		NCBA1AK-104W	CAPACITOR 0.1μF,10V	C6132		NBG41AM-106X	T CAPACITOR 10μF,10V
C4363		NCBA1AK-104W	CAPACITOR 0.1μF,10V	C6133		NCB21AK-105X	CAPACITOR 1μF,10V
C4364		NCBA1AK-104W	CAPACITOR 0.1μF,10V	C6134		NCB11AK-225X-A	CAPACITOR 2.2μF,10V
C4365		NBE90JM-106X	T CAPACITOR 10μF,6.3V	C6135		NCB21AK-105X	CAPACITOR 1μF,10V
C4401		NBE90GM-226X	T CAPACITOR 22μF,4.0V	C6136		NCB11AK-475X	CAPACITOR 4.7μF,10V
C4402		NCBA1CK-103W	CAPACITOR 0.01μF,16V	C6138		NCB21AK-105X	CAPACITOR 1μF,10V
C5001		NCBA1AK-104W	CAPACITOR 0.1μF,10V	C6145		NCB21AK-105X	CAPACITOR 1μF,10V
C5002		NCBA1AK-104W	CAPACITOR 0.1μF,10V	C6146		NBG41AM-106X	T CAPACITOR 10μF,10V
C5003		NBE40JM-476X	T CAPACITOR 47μF,6.3V	C6147		NBG41AM-106X	T CAPACITOR 10μF,10V
C5004		NCBA1AK-104W	CAPACITOR 0.1μF,10V	C6148		NCB11AK-475X	CAPACITOR 4.7μF,10V
C5005		NCBA1AK-104W	CAPACITOR 0.1μF,10V	C6150		NCB21AK-105X	CAPACITOR 1μF,10V
C5006		NCBA1AK-104W	CAPACITOR 0.1μF,10V	C6151		NCB10JK-106X	CAPACITOR 10μF,6.3V
C5007		NCB30JK-105X	CAPACITOR 1μF,6.3V	C6153		NCB21AK-105X	CAPACITOR 1μF,10V
C5008		NBE90JM-106X	T CAPACITOR 10μF,6.3V	C6154		NCB10JK-106X	CAPACITOR 10μF,6.3V
C5009		NCBA1AK-104W	CAPACITOR 0.1μF,10V	C6156		NCB21AK-105X	CAPACITOR 1μF,10V
C5011		NCBA1AK-104W	CAPACITOR 0.1μF,10V	C6157		NCB11AK-475X	CAPACITOR 4.7μF,10V
C5012		NCBA1AK-104W	CAPACITOR 0.1μF,10V	C6158		NCB20JK-225X	CAPACITOR 2.2μF,6.3V
C5013		NCBA1AK-104W	CAPACITOR 0.1μF,10V	C6159		NCB20JK-225X	CAPACITOR 2.2μF,6.3V
C5014		NBE90JM-106X	T CAPACITOR 10μF,6.3V	C6163		NCB21AK-105X	CAPACITOR 1μF,10V

#	△	REF No.	PART No.	PART NAME, DESCRIPTION		#	△	REF No.	PART No.	PART NAME, DESCRIPTION	
C6201			NCB21CK-105X	CAPACITOR	1μF,16V	L5003			NQR0129-002X	FERRITE BEAD	
C6202			NCB11EK-105X	CAPACITOR	1μF,25V	L5004			NQR0129-002X	FERRITE BEAD	
C6203			NCBA1CK-103W	CAPACITOR	0.01μF,16V	L5005			NQR0129-002X	FERRITE BEAD	
C6204			NCB21CK-105X	CAPACITOR	1μF,16V	L5201			NQR0129-002X	FERRITE BEAD	
C6205			NCB21CK-105X	CAPACITOR	1μF,16V	L5202			NQR0129-002X	FERRITE BEAD	
C6206			NCB11CK-105X	CAPACITOR	1μF,16V	L5203			NQL045K-100X	COIL	10μH
C6207			NCB11EK-105X	CAPACITOR	1μF,25V	L5204			NQL045K-100X	COIL	10μH
C6208			NCB21CK-105X	CAPACITOR	1μF,16V	L5205			NQL045K-100X	COIL	10μH
C6209			NCB21CK-105X	CAPACITOR	1μF,16V	L5206			NQR0129-002X	FERRITE BEAD	
C6210			NCB21CK-105X	CAPACITOR	1μF,16V	L6001			NQL402M-100X	COIL	10μH
C6401			NCBA1CK-103W	CAPACITOR	0.01μF,16V	L6101			NQLZ011-4R7X	COIL	4.7μH
C6402			NBE91CM-105X	T CAPACITOR	1μF,16V	L6102			NQLZ011-4R7X	COIL	4.7μH
L1001			NQR0265-001X	FERRITE BEAD		L6103			NQLZ011-4R7X	COIL	4.7μH
L1002			NQR0265-001X	FERRITE BEAD		L6104			NQL32CM-220X	COIL	22μH
L1003			NQL085J-390X	COIL	39μH	L6105			NQL32CM-220X	COIL	22μH
L1101			NQL402M-100X	COIL	10μH	L6106			NQL32CM-100X	COIL	10μH
L1401			NQL302N-100X	COIL	10μH	L6110			NQLZ011-390X	COIL	39μH
L1402			NRSA02J-0R0X	MG RESISTOR	0Ω,1/10W	L6112			NQL32CM-220X	COIL	22μH
L2701			NRSA63J-0R0X	MG RESISTOR	0Ω,1/16W	L6114			NQL32CM-220X	COIL	22μH
L2702			NRSA63J-0R0X	MG RESISTOR	0Ω,1/16W	L6116			NQL32CM-100X	COIL	10μH
L3001			NQR0305-001X	FERRITE BEAD		L6117			NQL35BK-100X	COIL	10μH
L3002			NQR0006-001X	FERRITE BEAD		L6118			NQL35BK-100X	COIL	10μH
L3003			NQR0305-001X	FERRITE BEAD		L6201			NQLZ011-221X	COIL	220μH
L3005			NQR0305-001X	FERRITE BEAD		X1001			NAX0279-001X	C OSCILLATOR	
L3101			NQR0305-001X	FERRITE BEAD		X1002			NAX0267-001X	CRYSTAL RESONATOR	
L3102			NQR0006-001X	FERRITE BEAD		X3001			NAX0206-001X	CRYSTAL RESONATOR	
L3103			NQR0384-003X	COIL		X3301			NAX0296-001X	C OSCILLATOR	
L3104			NQR0384-003X	COIL		X4301			NAX0332-001X	CXO	
L3201			NQR0006-001X	FERRITE BEAD		S1001			NSW0132-001X	DETECT SWITCH	
L3202			NQR0305-001X	FERRITE BEAD		S1401			NSW0128-001X	LEVER SWITCH	
L3301			NQR0006-001X	FERRITE BEAD		TB1			LY31799-001A	BATT.TERMINAL	
L3302			NQL04DK-100X	COIL	10μH	WR1			QAL0246-001	FPC	
L3303			NQL04DK-100X	COIL	10μH	WR2			QAL0239-001	FPC	
L3304			NQR0006-001X	FERRITE BEAD		WR3			WJR0016-001B	E-SH C WIRE C-F	
L3501			NQL04DK-220X	COIL	22μH	J101			NNZ0028-001	D CONNECTOR	
L3502			NQL04DK-220X	COIL	22μH	CN1001			QGF0513F1-08X	FPC CONNECTOR	
L3503			NQL302N-100X	COIL	10μH	CN1002			QGB0401M1-80X	CONNECTOR	
L3504			NQL302N-100X	COIL	10μH	CN1003			QGF0513F2-20X	FPC CONNECTOR	
L3551			NQR0006-001X	FERRITE BEAD		CN1004			QGA1001F1-03X	CONNECTOR	
L3701			NQL302N-100X	COIL	10μH	CN1005			QGF0513F2-06X	FPC CONNECTOR	
L3731			NQL085J-120X	COIL	12μH	CN1007			QGF0301F1-45X	FPC CONNECTOR	
L3732			NQL085J-270X	COIL	27μH	CN1008			QGF0507F1-16X	FPC CONNECTOR	
L4101			NQR0129-002X	FERRITE BEAD		CN1009			QGA1001F1-02X	CONNECTOR	
L4102			NQL045K-100X	COIL	10μH	CN1010			QGB0506L1-20X	CONNECTOR	
L4103			NQR0129-002X	FERRITE BEAD		CN1014			QGF0301F1-33X	FPC CONNECTOR	
L4104			NQL045K-100X	COIL	10μH	CN1016			QGB0401M1-A0X	CONNECTOR	
L4201			NQR0265-001X	FERRITE BEAD		△	F6101		NMFZ007-1R6X-K	FUSE	T1.6A
L4202			NQL402M-100X	COIL	10μH	△	F6102		NMFZ007-R20X-K	FUSE	T0.2A
L4203			NQR0265-001X	FERRITE BEAD		△	F6103		NMFZ007-1R6X-K	FUSE	T1.6A
L4204			NQL402M-100X	COIL	10μH	△	F6104		NMFZ007-R50X-K	FUSE	T0.5A
L4205			NQL402M-100X	COIL	10μH	OT1			LY30029-065B	SPACER(A)	
L4301			NQR0265-001X	FERRITE BEAD		OT2			LY30029-066A	SPACER(A)	
L4302			NQR0265-001X	FERRITE BEAD		OT3			LY42538-001A	SHEET(MAIN)	
L4303			NQR0265-001X	FERRITE BEAD		OT4			LY30029-078A	SPACER(A),X2	
L4304			NQL045K-100X	COIL	10μH	OT5			LY30029-079A	SPACER(A)	
L4305			NQR0265-001X	FERRITE BEAD		OT6			LY30029-082A	SPACER(A)	
L4306			NQR0129-002X	FERRITE BEAD		SD1			LY31714-001A	SHIELD CASE	
L4351			NQL402M-100X	COIL	10μH						
L4401			NQR0006-001X	FERRITE BEAD							
L5001			NQR0129-002X	FERRITE BEAD							
L5002			NQL045K-100X	COIL	10μH						

#	△ REF No.	PART No.	PART NAME, DESCRIPTION

MMC BOARD ASSEMBLY <06>			
PW3		YB10288B3	MMC BOARD ASSY
R8504		NRSA63J-104X	MG RESISTOR 100kΩ,1/16W
R8505		NRSA63J-0R0X	MG RESISTOR 0Ω,1/16W
R8506		NRSA63J-333X	MG RESISTOR 33kΩ,1/16W
BT8501		QAB0020-001	LI BATTERY
CN601		QGF0505F1-14X	FPC CONNECTOR
CN602		QGF0505F1-06X	FPC CONNECTOR

AUDIO VF BOARD ASSEMBLY <08>

PW1		YB10285C2-02	AUDIO VF BOARD ASSY
IC2101		AK4550VT	IC
IC2103		JCY0137	IC
IC2201		LA74202W	IC
Q2101		2SC5585	TRANSISTOR
Q2102		2SC5585	TRANSISTOR
Q2201		2SC4617/QR/-X	TRANSISTOR
Q2401		2SC4617/QR/-X	TRANSISTOR
Q2403		2SD1511/R/-X	TRANSISTOR
Q2602		NRSA6AJ-563W	MG RESISTOR 56kΩ,1/16W
		or NRVA6AD-563W	CMF RESISTOR 56kΩ,1/16W
Q2603		2SC4617/QR/-X	TRANSISTOR
Q2604		2SC4617/QR/-X	TRANSISTOR
Q2755		UMX1N	PAIR TRANSISTOR
Q7401		UMZ1N	PAIR TRANSISTOR
D2001		TLSU1002/LM/-X	LE DIODE
D2751		DAN222	DIODE
R2001		NRSA6AJ-471W	MG RESISTOR 470Ω,1/16W
R2002		NRVA6AD-103W	CMF RESISTOR 10kΩ,1/16W
R2003		NRVA6AD-152W	CMF RESISTOR 1.5kΩ,1/16W
R2004		NRVA6AD-182W	CMF RESISTOR 1.8kΩ,1/16W
R2005		NRVA6AD-272W	CMF RESISTOR 2.7kΩ,1/16W
R2101		NRSA6AJ-471W	MG RESISTOR 470Ω,1/16W
R2102		NRSA6AJ-471W	MG RESISTOR 470Ω,1/16W
R2103		NRSA6AJ-0R0W	MG RESISTOR 0Ω,1/16W
R2104		NRSA6AJ-0R0W	MG RESISTOR 0Ω,1/16W
R2105		NRSA6AJ-0R0W	MG RESISTOR 0Ω,1/16W
R2117		NRSA6AJ-0R0W	MG RESISTOR 0Ω,1/16W
R2118		NRSA6AJ-103W	MG RESISTOR 10kΩ,1/16W
R2119		NRSA6AJ-103W	MG RESISTOR 10kΩ,1/16W
R2120		NRSA6AJ-332W	MG RESISTOR 3.3kΩ,1/16W
R2131		NRSA6AJ-100W	MG RESISTOR 10Ω,1/16W
R2132		NRSA6AJ-100W	MG RESISTOR 10Ω,1/16W
R2133		NRSA6AJ-100W	MG RESISTOR 10Ω,1/16W
R2134		NRSA6AJ-0R0W	MG RESISTOR 0Ω,1/16W
R2135		NRSA6AJ-0R0W	MG RESISTOR 0Ω,1/16W
R2136		NRSA6AJ-0R0W	MG RESISTOR 0Ω,1/16W
R2137		NRSA6AJ-0R0W	MG RESISTOR 0Ω,1/16W
R2138		NRSA6AJ-0R0W	MG RESISTOR 0Ω,1/16W
R2139		NRSA6AJ-0R0W	MG RESISTOR 0Ω,1/16W
R2141		NRSA6AJ-0R0W	MG RESISTOR 0Ω,1/16W
R2202		NRSA6AJ-472W	MG RESISTOR 4.7kΩ,1/16W
R2203		NRSA6AJ-2R7W	MG RESISTOR 2.7Ω,1/16W

#	△ REF No.	PART No.	PART NAME, DESCRIPTION
R2204		NRSA6AJ-2R7W	MG RESISTOR 2.7Ω,1/16W
R2205		NRSA6AJ-823W	MG RESISTOR 82kΩ,1/16W
R2206		NRSA6AJ-472W	MG RESISTOR 4.7kΩ,1/16W
R2208		NRSA6AJ-392W	MG RESISTOR 3.9kΩ,1/16W
R2210		NRSA6AJ-332W	MG RESISTOR 3.3kΩ,1/16W
R2220		NRSA6AJ-102W	MG RESISTOR 1kΩ,1/16W
R2221		NRSA6AJ-102W	MG RESISTOR 1kΩ,1/16W
R2224		NRSA6AJ-222W	MG RESISTOR 2.2kΩ,1/16W
R2228		NRSA6AJ-103W	MG RESISTOR 10kΩ,1/16W
R2229		NRSA6AJ-0R0W	MG RESISTOR 0Ω,1/16W
R2234		NRSA6AJ-332W	MG RESISTOR 3.3kΩ,1/16W
R2401		NRSA6AJ-103W	MG RESISTOR 10kΩ,1/16W
R2402		NRSA6AJ-473W	MG RESISTOR 47kΩ,1/16W
R2412		NRSA6AJ-153W	MG RESISTOR 15kΩ,1/16W
R2413		NRSA6AJ-103W	MG RESISTOR 10kΩ,1/16W
R2415		NRSA6AJ-560W	MG RESISTOR 56Ω,1/16W
R2429		NRSA6AJ-0R0W	MG RESISTOR 0Ω,1/16W
R2601		NRSA6AJ-182W	MG RESISTOR 1.8kΩ,1/16W
R2602		NRSA6AJ-182W	MG RESISTOR 1.8kΩ,1/16W
R2603		NRSA6AJ-123W	MG RESISTOR 12kΩ,1/16W
R2604		NRSA6AJ-123W	MG RESISTOR 12kΩ,1/16W
R2609		NRSA6AJ-332W	MG RESISTOR 3.3kΩ,1/16W
R2610		NRSA6AJ-332W	MG RESISTOR 3.3kΩ,1/16W
R2613		NRSA6AJ-472W	MG RESISTOR 4.7kΩ,1/16W
R2614		NRSA6AJ-472W	MG RESISTOR 4.7kΩ,1/16W
R2615		NRSA6AJ-682W	MG RESISTOR 6.8kΩ,1/16W
R2616		NRSA6AJ-682W	MG RESISTOR 6.8kΩ,1/16W
R2619		NRSA6AJ-472W	MG RESISTOR 4.7kΩ,1/16W
R2620		NRSA6AJ-472W	MG RESISTOR 4.7kΩ,1/16W
R2621		NRSA6AJ-472W	MG RESISTOR 4.7kΩ,1/16W
R2622		NRSA6AJ-472W	MG RESISTOR 4.7kΩ,1/16W
R2623		NRSA6AJ-5R6W	MG RESISTOR 5.6Ω,1/16W
R2624		NRSA6AJ-5R6W	MG RESISTOR 5.6Ω,1/16W
R2627		NRSA6AJ-0R0W	MG RESISTOR 0Ω,1/16W
R2628		NRSA6AJ-0R0W	MG RESISTOR 0Ω,1/16W
R2629		NRSA6AJ-333W	MG RESISTOR 33kΩ,1/16W
R2630		NRSA6AJ-333W	MG RESISTOR 33kΩ,1/16W
R2631		NRSA6AJ-153W	MG RESISTOR 15kΩ,1/16W
R2632		NRSA6AJ-153W	MG RESISTOR 15kΩ,1/16W
R2633		NRSA6AJ-153W	MG RESISTOR 15kΩ,1/16W
R2634		NRSA6AJ-153W	MG RESISTOR 15kΩ,1/16W
R2635		NRSA6AJ-0R0W	MG RESISTOR 0Ω,1/16W
R2636		NRSA6AJ-0R0W	MG RESISTOR 0Ω,1/16W
R2640		NRSA6AJ-182W	MG RESISTOR 1.8kΩ,1/16W
R2641		NRSA6AJ-182W	MG RESISTOR 1.8kΩ,1/16W
R2642		NRSA6AJ-102W	MG RESISTOR 1kΩ,1/16W
R2643		NRSA6AJ-473W	MG RESISTOR 47kΩ,1/16W
R2715		NRSA6AJ-0R0W	MG RESISTOR 0Ω,1/16W
R2756		NRSA6AJ-332W	MG RESISTOR 3.3kΩ,1/16W
R2757		NRSA6AJ-564W	MG RESISTOR 560kΩ,1/16W
R2758		NRSA6AJ-564W	MG RESISTOR 560kΩ,1/16W
R2759		NRSA6AJ-821W	MG RESISTOR 820Ω,1/16W
R2760		NRSA6AJ-821W	MG RESISTOR 820Ω,1/16W
R7427		NRSA6AJ-0R0W	MG RESISTOR 0Ω,1/16W
R7428		NRSA6AJ-0R0W	MG RESISTOR 0Ω,1/16W
R7429		NRSA6AJ-0R0W	MG RESISTOR 0Ω,1/16W
R7430		NRSA6AJ-0R0W	MG RESISTOR 0Ω,1/16W
R7442		NRVA6AD-183W	CMF RESISTOR 18kΩ,1/16W
R7443		NRSA6AJ-334W	MG RESISTOR 330kΩ,1/16W
R7444		NRSA6AJ-224W	MG RESISTOR 220kΩ,1/16W
R7445		NRSA6AJ-393W	MG RESISTOR 39kΩ,1/16W

#	△ REF No.	PART No.	PART NAME, DESCRIPTION	#	△ REF No.	PART No.	PART NAME, DESCRIPTION	
	C2101	NCB30JK-105X	CAPACITOR		C2768	NRSA63J-0R0X	MG RESISTOR	0Ω,1/16W
	C2102	NCB30JK-105X	CAPACITOR		C2769	NRSA63J-0R0X	MG RESISTOR	0Ω,1/16W
	C2103	NCBA1HK-222W	CAPACITOR		C7427	NBP41DM-106X	T CAPACITOR	10μF,20V
	C2104	NCBA1HK-222W	CAPACITOR		C7428	NCB21CK-105X	CAPACITOR	1μF,16V
	C2105	NBE90JM-475X	T CAPACITOR		C7429	NBE21AM-106X	T CAPACITOR	10μF,10V
	C2106	NCB31CK-104X	CAPACITOR		C7431	NBE20JM-106X	T CAPACITOR	10μF,6.3V
	C2107	NCB31CK-104X	CAPACITOR		L2101	NQL402M-100X	COIL	10μH
	C2108	NBE90JM-106X	T CAPACITOR		L2131	NQL402M-100X	COIL	10μH
	C2131	NBE90JM-106X	T CAPACITOR		L2601	NRSA63J-0R0X	MG RESISTOR	0Ω,1/16W
	C2132	NCB31CK-104X	CAPACITOR		L2602	NRSA63J-0R0X	MG RESISTOR	0Ω,1/16W
	C2134	NDCA1HJ-101W	CAPACITOR		L2603	NRSA63J-0R0X	MG RESISTOR	0Ω,1/16W
	C2136	NDCA1HJ-101W	CAPACITOR		L2604	NRSA63J-0R0X	MG RESISTOR	0Ω,1/16W
	C2137	NDCA1HJ-101W	CAPACITOR		L7403	NQL045K-100X	COIL	10μH
	C2203	NBE90JM-475X	T CAPACITOR		L7404	NQL045K-100X	COIL	10μH
	C2204	NBE90JM-106X	T CAPACITOR		S7001	NSW0129-001X	PUSH SWITCH	
	C2207	NCBA1AK-104W	CAPACITOR		CN801	QGB0401L1-A0X	CONNECTOR	
	C2208	NCBA1AK-104W	CAPACITOR		CN802	QGF0517F2-12X	FPC CONNECTOR	
	C2210	NBE40JM-476X	T CAPACITOR		CN803	QGF0517F1-06X	FPC CONNECTOR	
	C2211	NBE40JM-476X	T CAPACITOR		CN804	QGA1001F1-05X	CONNECTOR	
	C2212	NBE90JM-106X	T CAPACITOR		CN805	QGF0507F1-20X	FPC CONNECTOR	
	C2214	NCB31CK-104X	CAPACITOR		OT1	LY42535-001A	SHEET(AUD.PWB)	
	C2215	NCB31CK-104X	CAPACITOR		OT2	LY42775-001A	S.SHEET(AU/VF)	
	C2216	NCBA1CK-103W	CAPACITOR					
	C2217	NCBA1AK-104W	CAPACITOR					
	C2220	NCB30JK-105X	CAPACITOR					
	C2221	NCB30JK-105X	CAPACITOR					
	C2224	NCBA1AK-104W	CAPACITOR					
	C2227	NCB21CK-105X	CAPACITOR					
	C2230	NCB31CK-104X	CAPACITOR					
	C2402	NBE90JM-106X	T CAPACITOR					
	C2412	NBE40JM-476X	T CAPACITOR					
	C2413	NBE40JM-476X	T CAPACITOR					
	C2603	NCB31EK-472X	CAPACITOR					
	C2604	NCB31EK-472X	CAPACITOR					
	C2605	NCBA1HK-152W	CAPACITOR					
	C2606	NCBA1HK-152W	CAPACITOR					
	C2611	NCB31CK-333X	CAPACITOR					
	C2612	NCB31CK-333X	CAPACITOR					
	C2613	NCBA1HK-332W	CAPACITOR					
	C2614	NCBA1HK-332W	CAPACITOR					
	C2617	NCB31CK-273X	CAPACITOR					
	C2618	NCB31CK-273X	CAPACITOR					
	C2621	NBE90JM-475X	T CAPACITOR					
	C2622	NBE90JM-475X	T CAPACITOR					
	C2625	NCB31CK-104X	CAPACITOR					
	C2626	NCB31CK-104X	CAPACITOR					
	C2627	NCBA1HK-102W	CAPACITOR					
	C2628	NCBA1HK-102W	CAPACITOR					
	C2629	NBE20GM-336X	T CAPACITOR					
	C2631	NCB31EK-103X	CAPACITOR					
	C2632	NCB31EK-103X	CAPACITOR					
	C2635	NCB30JK-105X	CAPACITOR					
	C2636	NCB30JK-105X	CAPACITOR					
	C2639	NCB31CK-104X	CAPACITOR					
	C2640	NCB31CK-104X	CAPACITOR					
	C2702	NBE90GM-226X	T CAPACITOR					
	C2703	NBE90GM-226X	T CAPACITOR					
	C2753	NCB20JK-225X	CAPACITOR					
	C2754	NCB20JK-225X	CAPACITOR					
	C2764	NCB20JK-225X	CAPACITOR					
	C2765	NCB20JK-225X	CAPACITOR					